



TRANSMISSIONS



Mechanical Power Transmission



Agriculture

WE LOVE OUR PRODUCTS.



Automotive

“We are proud to be a European manufacturer; it is a privilege to supply our products to some of the world’s most prestigious original equipment manufacturers in the Agricultural, Automotive, Construction, Industrial and Motor Sport sectors”.



Construction

“Our distributor network is vital to the continued global growth of the DUNLOP brand and our valued distributor partners form the perfect link between manufacturer and end user”.



Industrial

“Our commitment to our staff, our customers and the environment is of paramount importance to our company, we will continue to develop our organisational skills to further enhance our company’s potential, to engage in sustainable practices and anticipate the needs and expectations of our customers”.



Motor Sport

“We love our products”.

Ray Mifsud, Managing Director.

A handwritten signature in black ink, appearing to read 'R. Mifsud'.



**Dunlop BTL Ltd - Ashford
European Distribution Centre**

MPT House, Brunswick Road
Cobbs Wood Industrial Estate
Ashford, Kent
TN23 1EL , United Kingdom

**Dunlop BTL Ltd - Consett
UK Manufacturing Centre**

Unit 46, Werdolh Way,
No 1 Industrial Estate,
Consett, County Durham
DH8 6SZ , United Kingdom



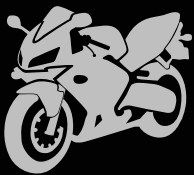
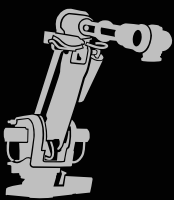
Contact us

-  +44 (0)1233 663340
-  +44 (0)1233 664440
-  sales@dunlopctl.com
-  www.dunlopctl.com



Manufacturing Facilities

- UNITED KINGDOM
- FRANCE
- GERMANY
- ITALY
- SPAIN
- POLAND
- CZECH REPUBLIC
- SLOVAKIA
- SERBIA
- CHINA
- USA





Manufacturing Facilities, Consett, Co. Durham UK

Unit 46, Werdolh Way,
No 1 Industrial Estate,
Consett, County Durham
DH8 6SZ , United Kingdom

European Distribution Centre, Ashford, Kent UK

MPT House, Brunswick Road
Cobbs Wood Industrial Estate
Ashford, Kent
TN23 1EL , United Kingdom

“We are proud to be a European manufacturer; it is a privilege to supply our products to some of the world’s most prestigious original equipment manufacturers in the Agricultural, Automotive, Construction, Industrial and Motor Sport sectors”.

“Our distributor network is vital to the continued global growth of the DUNLOP brand and our valued distributor partners form the perfect link between manufacturer and end user”.

“Our commitment to our staff, our customers and the environment is of paramount importance to our company, we will continue to develop our organisational skills to further enhance our company’s potential, to engage in sustainable practices and anticipate the needs and expectations of our customers”.

“At Dunlop BTL we love our products”.

Ray Mifsud, *Managing Director.*



English



Español



Italiano



Deutsch



Français



Nederlands



Polskie

Engineering Data

120

Datos de ingeniería • Dati ingegneristici • Technische gegevens
Données d'ingénierie • Technische gegevens • Dane Inżynieria

HTD Timing Pulleys Taper Bore

123

Agujero cónico de poleas de temporización de HTD • Foro conico di pulegge di temporizzazione di HTD • HTD Timing Riemenscheiben konische Bohrung
Trou conique de poulies de minutage de HTD • Gat conische van katrollen van timing van HTD • stożkowy otwór koła pasowe rozrządu HTD

HTD Timing Pulleys Pilot Bore

130

Llevaba tiempo a piloto poleas HTD • Ha preso tempo per pilota Pulegge HTD
HTD Riemenscheiben Timing Pilotbohrung • Alésage de pilote poulies HTD de Timing • HTD Timing katrollen pilot boring • Pilot Średnica koła pasowe rozrządu HTD

Imperial Timing Pulleys Taper Bore

138

Calendario Imperial poleas agujero cónico • Calendario Imperial affusolati foro pulegge • Imperial Timing Riemenscheiben Kegel trug • Poulies de calendrier impérial coniques d'alésage • Imperial timing katrollen taper droeg
Imperial otworu stożkowego koła pasowe rozrządu

Imperial Timing Pulleys Pilot Bore

146

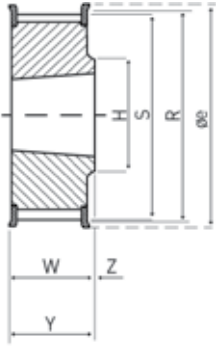
Alesaje Imperial piloto de poleas de distribución • Imperial temporizzazione pilota pulegge foro • Imperial timing Riemenscheiben Pilot trug • Imperial chronométrage pilote poulies d'alésage • Imperial timing katrollen pilot boring • Cesarskie koła pasowe rozrządu otwór pilotażowy

Metric Timing Pulleys Pilot Bore

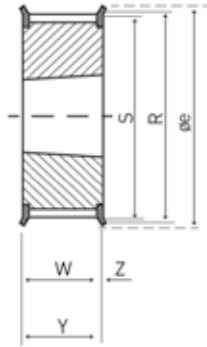
158

Métrico tiempo a piloto de poleas del alesaje • Metrica temporizzazione pilota pulegge foro • Metrisches timing Riemenscheiben Pilot trug • Alésage métrique chronométrage pilote de poulies • Metrisch timing katrollen pilot boring
Metryczne koła pasowe zębate otwór pilotażowy

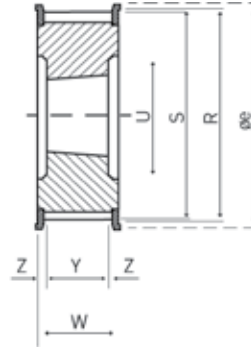
ENGINEERING DATA TIMING PULLEYS TAPER BORE



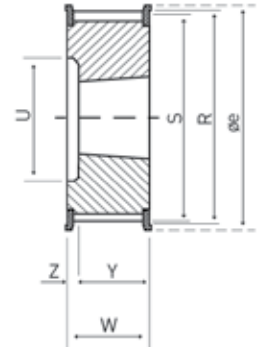
Type 1



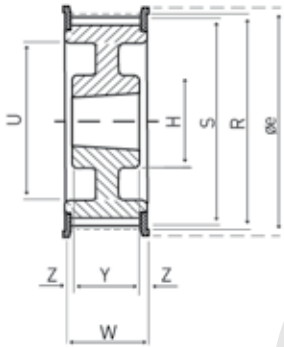
Type 2



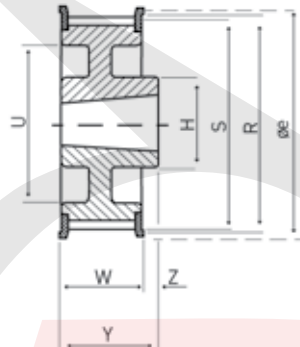
Type 3



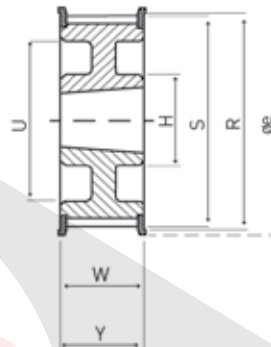
Type 4



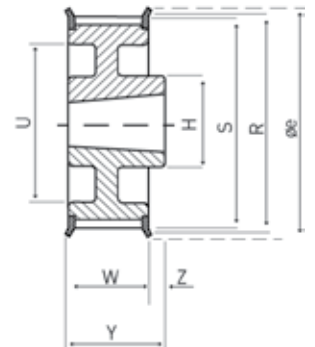
Type 5



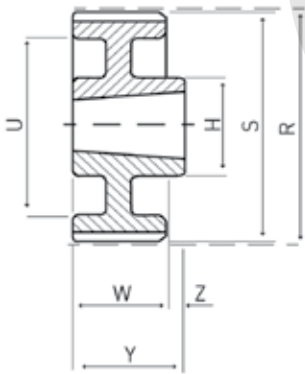
Type 6



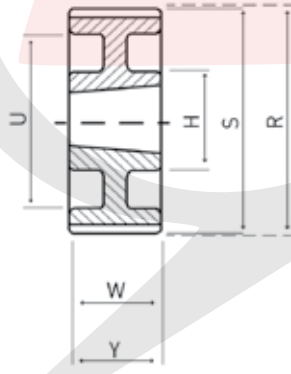
Type 7



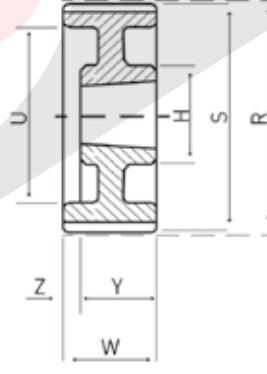
Type 8



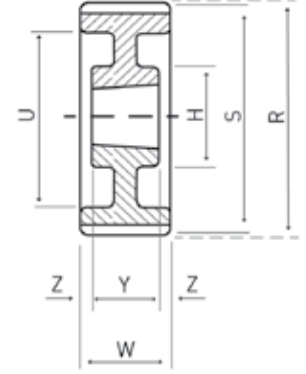
Type 9



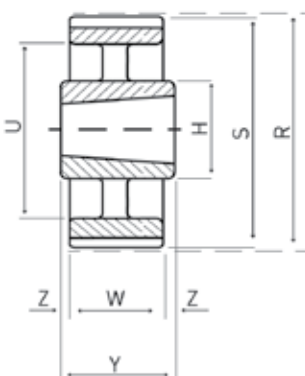
Type 10



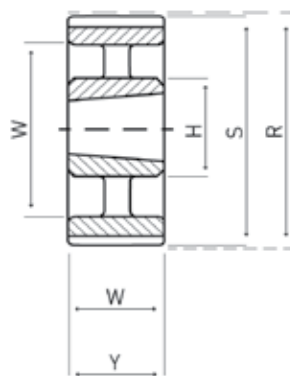
Type 11



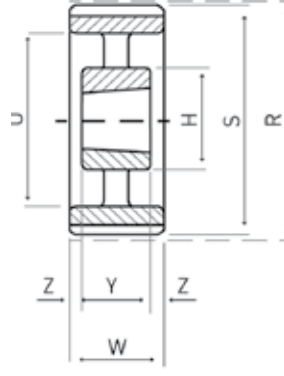
Type 12



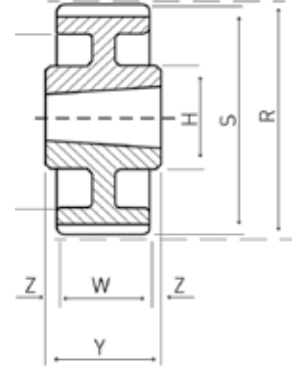
Type 13



Type 14

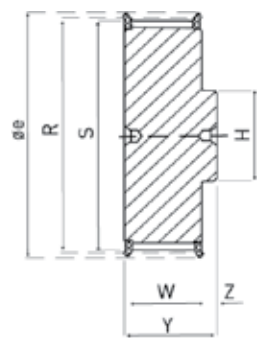


Type 15

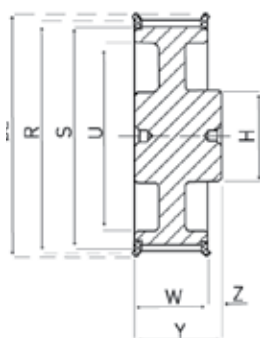


Type 16

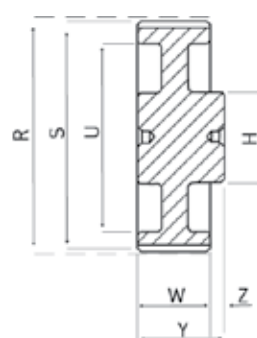
TIMING PULLEYS PILOT BORE



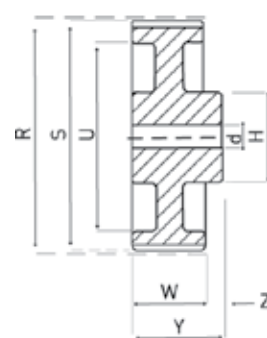
Type 1



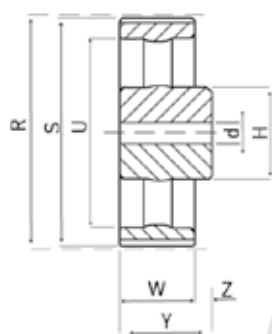
Type 2



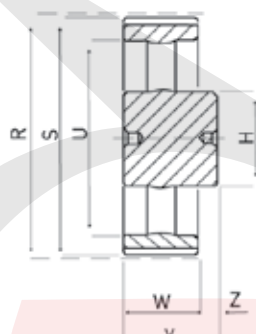
Type 3



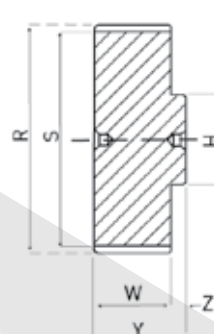
Type 4



Type 5



Type 6



Type 7



TIMING PULLEYS

PULLEY IDENTIFICATION

Timing pulleys are indicated by a conventional code consisting of 3 groups. The first group shows number of teeth. The second group shows the pitch (stated at the beginning of each table). The third group shows the belt width for which the pulley has to be used:

XL, L, H, XH & XXH pulleys, the belt width is in hundred of an inch (100 =1 inch)

HTD, T2,5, T5 & T10 pulleys the belt width is in mm.

PULLEY TOLERANCE DATA

Positive drive pulleys are manufactured according to:
 DIN ISO 5294
 DIN 7721

PULLEY BORE TOLERANCES

Normally pulleys are bored with H7 tolerance, if not otherwise specified.

LATERAL OSCILLATION

The pulley bore must be at right angles to the vertical faces of the pulley within 0,0254 mm for each 25,4 mm radius.

STANDARD PULLEYS

These pulleys have equally spaced grooves machined in to the outside diameter, to give correct meshing with the belts teeth. The pulley grooves are of a special design to give this correct meshing of the belt teeth with minimal friction.

All pulleys manufactured have correct minimum meshing tolerances built in and the pitch diameter is always larger than the outside diameter. Timing pulleys are normally stocked in a wide range of diameters and number of teeth along with standard widths.

PROTECTIVE TREATMENT

Steel and Cast Iron Pulleys are black phosphated.

SPECIAL PULLEYS

Special pulleys can be manufactured to customer drawings. It is recommended that pulleys should be made of cast iron or steel. It is essential to use steel when the peripheral speed is over 30 m/s. If weight is a limiting factor, pulleys can also be made in aluminium. However if aluminium is used the pulley will have a shorter life due to the lightly abrasive effect of the-nylon cover of the belt. Hard-anodising of the teeth may extend pulley life.

Type	MXL	XL	L	H	XH	3 M	5 M	8M	14 M	T2.5	T5 AT5	T10 AT10	T20
Pitch mm	2.032	5.080	9.525	12.700	22.225	3	5	8	14	2.5	5	10	20
inches	0.080	0.200	0.375	0.500	0.875	-	-	-	-	-	-	-	-
	[2/25]	[1/5]	[3/8]	[1/2]	[7/8]	-	-	-	-	-	-	-	-

Eccentricity of pulley bore to outside diameter

Outside diameter in mm	Total eccentricity in mm (dial indicator reading)
up to 254	0.1270
over 254	0.0127 each 25.4 mm diameter



TIMING PULLEYS



HTD TIMING PULLEYS TAPER BORE

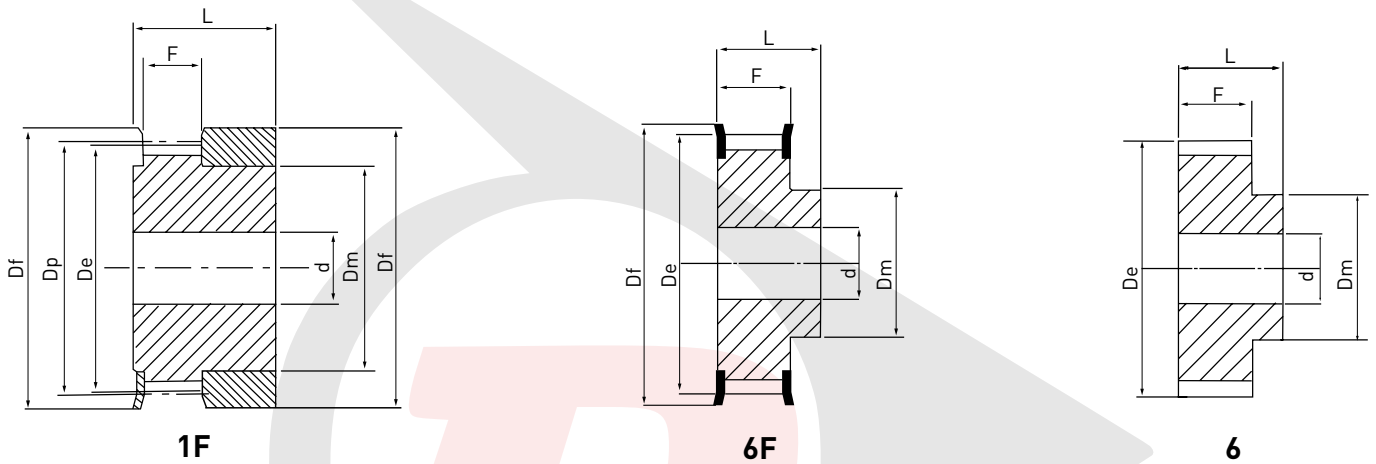
Description

Dunlop HTD Timing Belt Pulleys are manufactured from either C45 steel with black oxide surface treatment, cast iron EN-GJL-200 and black phosphate or aluminium 6082. Pulley flanges are produced from S235JR steel.

HTD Timing Belt Pulleys are available to suit all HTD pitch sizes, 3M, 5M, 8M & 14M and are available from stock in both taper and pilot bore options.

Part numbers are identified by a 2 or 3 digit number (e.g. 44) which represents the number of teeth, a number and a letter (e.g. 8M) the pulleys pitch and a 2 or 3 digit number (e.g. 30) the width of the appropriate corresponding timing belt, for example 44-8M-30F.

Drawing Reference for 3M - SECTION



3M-06 - SECTION

Part Number	Type	Bushing Type	Max Bore	Dp mm	De mm	Df mm	Dm mm	F mm	L mm			Flange	Material
10 3M 06	1F			9.55	8.79	13.0	6.0	7.2	14.5			With Flanges	Aluminium
12 3M 06	1F			11.46	10.70	15.0	8.0	7.2	14.5				
14 3M 06	1F			13.37	12.61	16.0	9.5	7.2	14.5				
15 3M 06	1F			14.32	13.56	17.5	11.6	7.2	14.5				
16 3M 06	6F			15.28	14.52	18.0	10.0	9.8	17.5				
18 3M 06	6F			17.19	16.43	20.0	11.0	9.8	17.5				
20 3M 06	6F			19.10	18.34	23.0	13.0	9.8	17.5				
21 3M 06	6F			20.05	19.29	25.0	13.0	9.8	17.5				
22 3M 06	6F			21.01	20.25	25.0	13.0	9.8	17.5				
24 3M 06	6F			22.92	22.16	25.0	13.0	9.8	17.5				
26 3M 06	6F			24.83	24.07	28.0	16.0	9.8	17.5				
28 3M 06	6F			26.74	25.98	32.0	18.0	9.8	17.5				
30 3M 06	6F			28.65	27.89	32.0	20.0	9.8	17.5				
32 3M 06	6F			30.56	29.80	36.0	22.0	9.8	17.5				
36 3M 06	6F			34.38	33.62	38.0	26.0	10.3	18.0				
40 3M 06	6F			38.20	37.44	42.0	28.0	10.3	18.0				
44 3M 06	6F			42.02	41.26	48.0	33.0	10.3	18.0				
48 3M 06	6			45.84	45.08	-	33.0	10.3	18.6			Without Flanges	Aluminium
60 3M 06	6			57.30	56.54	-	33.0	10.3	18.6				
72 3M 06	6			68.75	67.99	-	33.0	10.3	18.6				

3M-09 - SECTION

Part Number	Type	Bushing Type	Bushing Max Bore	Dp mm	De mm	Df mm	Dm mm	F mm	L mm			Flange	Material
10 3M 09	1F			9.55	8.79	13.0	6.0	10.2	17.5			With Flanges	Aluminium
12 3M 09	1F			11.46	10.70	15.0	8.0	10.2	17.5				
14 3M 09	1F			13.37	12.61	16.0	9.5	10.2	17.5				
15 3M 09	1F			14.32	13.56	17.5	11.6	10.2	17.5				
16 3M 09	6F			15.28	14.52	18.0	10.0	12.8	20.6				
18 3M 09	6F			17.19	16.43	20.0	11.0	12.8	20.6				
20 3M 09	6F			19.10	18.34	23.0	13.0	12.8	20.6				
21 3M 09	6F			20.05	19.29	25.0	13.0	12.8	20.6				
22 3M 09	6F			21.01	20.25	25.0	13.0	12.8	20.6				
24 3M 09	6F			22.92	22.16	25.0	13.0	12.8	20.6				
26 3M 09	6F			24.83	24.07	28.0	16.0	12.08	20.6				
28 3M 09	6F			26.74	25.98	32.0	18.0	12.8	20.6				
30 3M 09	6F			28.65	27.89	32.0	20.0	12.8	20.6				
32 3M 09	6F			30.56	29.80	36.0	22.0	12.8	20.6				
36 3M 09	6F			34.38	33.62	38.0	26.0	13.4	22.2				
40 3M 09	6F			38.20	37.44	42.0	28.0	13.4	22.2				
44 3M 09	6F			42.02	41.26	48.0	33.0	13.4	22.2				
48 3M 09	6			45.84	45.08	-	33.0	13.4	22.2			Without Flanges	Aluminium
60 3M 09	6			57.30	56.54	-	33.0	13.4	22.2				
72 3M 09	6			68.75	67.99	-	33.0	13.4	22.2				

3M-15 - SECTION

Part Number	Type	Bushing Type	Bushing Max Bore	Dp mm	De mm	Df mm	Dm mm	F mm	L mm			Flange	Material
10 3M 15	1F			9.55	8.79	13.0	6.0	17.0	26			With Flanges	Aluminium
12 3M 15	1F			11.46	10.70	15.0	8.0	17.0	26				
14 3M 15	1F			13.37	12.61	16.0	9.5	17.0	26				
15 3M 15	1F			14.32	13.56	17.5	11.6	17.0	26				
16 3M 15	6F			15.28	14.52	18.0	10.0	19.5	26				
18 3M 15	6F			17.19	16.43	20.0	11.0	19.5	26				
20 3M 15	6F			19.10	18.34	23.0	12.0	19.5	26				
21 3M 15	6F			20.05	19.29	25.0	13.0	19.5	26				
22 3M 15	6F			21.01	20.25	25.0	13.0	19.5	26				
24 3M 15	6F			22.92	22.16	25.0	13.0	19.5	26				
26 3M 15	6F			24.83	24.07	28.0	16.0	19.5	26				
28 3M 15	6F			26.74	25.98	32.0	18.0	19.5	26				
30 3M 15	6F			28.65	27.89	32.0	20.0	19.5	26				
32 3M 15	6F			30.56	29.80	36.0	22.0	19.5	26				
36 3M 15	6F			34.38	33.62	38.0	26.0	20.0	30				
40 3M 15	6F			38.20	37.44	42.0	28.0	20.0	30				
44 3M 15	6F			42.02	41.26	48.0	33.0	20.0	30				
48 3M 15	6			45.84	45.08	-	33.0	20.0	30			Without Flanges	Aluminium
60 3M 15	6			57.30	56.54	-	33.0	20.0	30				
72 3M 15	6			68.75	67.99	-	33.0	20.0	30				

5M - SECTION 15

Part Number	Type	Bushing Type	Max Bore	R mm	S mm	Ø e mm	U mm	W mm	H mm	Y mm	Z mm	Flange	Material
34-5M-15F	8	1008	25	54.11	52.97	57	-	22	-	22	-	With Flanges	Steel
36-5M-15F	8	1108	28	57.30	56.16	62	-	22	-	22	-		
38-5M-15F	8	1108	28	60.48	59.34	67	-	22	-	22	-		
40-5M-15F	8	1108	28	63.66	62.52	73	-	22	-	22	-		
44-5M-15F	8	1108	28	70.03	68.89	73	-	22	-	22	-		
48-5M-15F	1	1210	32	76.39	75.25	84	-	20.5	64	22	4.5		
56-5M-15F	1	1210	32	89.13	87.99	94	-	20.5	70	22	4.5	Without Flanges	Cast Iron
64-5M-15	1	1210	32	101.86	100.72	108	-	20.5	78	22	4.5		
72-5M-15	1	1610	42	114.59	113.45	121	-	20.5	90	22	4.5		
80-5M-15	1	1610	42	127.32	126.18	131	-	20.5	92	22	4.5		
90-5M-15	15	1610	42	143.24	142.10	-	122	20.5	92	22	4.5		
112-5M-15	15	1610	42	178.25	177.11	-	157	20.5	92	22	4.5		
136-5M-15	15	2012	50	216.45	215.31	-	195	20.5	110	22	5.8		
150-5M-15	15	2012	50	238.73	237.59	-	217	20.5	110	22	5.8		

8M - SECTION 20

Part Number	Type	Bushing Type	Max Bore	R mm	S mm	Ø e mm	U mm	W mm	H mm	Y mm	Z mm	Flange	Material
22-8M-20F	4	1008	25	56.02	54.65	62	38	28	-	6	22	With Flanges	Cast Iron
24-8M-20F	4	1108	28	61.12	59.74	67	42	28	-	6	22		
26-8M-20F	4	1108	28	66.21	64.84	73	45	28	-	6	22		
28-8M-20F	4	1108	28	71.30	69.93	77	52	28	-	6	22		
30-8M-20F	4	1108	28	76.39	75.02	84	56	28	-	6	22		
32-8M-20F	4	1210	32	81.49	80.12	88	65	28	-	3	25		
34-8M-20F	4	1210	32	86.58	85.21	94	66	28	-	3	25		
36-8M-20F	4	1210	32	91.67	90.30	98	68	28	-	3	25		
38-8M-20F	4	1610	42	96.77	95.39	104	76	28	-	3	25		
40-8 M-20F	4	1610	42	101.86	100.49	108	80	28	-	3	25		
44-8M-20F	1	1610	42	112.05	110.67	121	-	28	99	4	32		
48-8M-20F	1	1610	42	122.23	120.86	129	-	28	105	4	32		
56-8M-20F	1	2012	50	142.60	141.23	149	-	28	105	4	32		
64-8M-20F	6	2012	50	162.97	161.60	168	140	28	110	4	32		
72-8M-20F	6	2012	50	183.35	181.97	191	158	28	110	4	32		
80-8M-20	9	2012	50	203.72	202.35	-	178	28	110	4	32		
90-8M-20	12	2012	50	229.18	227.81	-	204	28	110	4	32		

8M - SECTION 30

Part Number	Type	Bushing Type	Max Bore	R mm	S mm	Ø e mm	U mm	W mm	H mm	Y mm	Z mm	Flange	Material		
22-8M-30F	4	1008	25	56.02	54.65	62	38	38	-	16	22	With Flanges	Cast Iron		
24-8M-30F	4	1008	25	61.12	59.74	67	42	38	-	16	22				
26-8M-30F	4	1008	25	66.21	64.84	73	45	38	-	16	22				
28-8M-30F	4	1008	25	71.30	69.93	77	52	38	-	16	22				
30-8M-30F	8	1615	42	76.39	75.02	84	-	38	-	-	38				
32-8M-30F	8	1615	42	81.49	80.12	88	-	38	-	-	38				
34-8M-30F	8	1615	42	86.58	85.21	94	-	38	-	-	38				
36-8M-30F	8	1615	42	91.67	90.30	98	-	38	-	-	38				
38-8M-30F	8	1615	42	96.77	95.39	104	-	38	-	-	38				
40-8M-30F	8	1615	42	101.86	100.49	108	-	38	-	-	38				
44-8M-30F	2	2012	50	112.05	110.67	121	90	38	-	3	32				
48-8M-30F	2	2012	50	122.23	120.86	129	98	38	-	3	32				
56-8M-30F	6	2012	50	142.60	141.23	149	118	38	-	3	32				
64-8M-30F	6	2517	65	162.97	161.60	168	140	38	120	7	45				
72-8M-30F	12	2517	65	183.35	181.97	191	158	38	120	7	45				
80-8M-30	12	2517	65	203.72	202.35	-	178	38	120	7	45				
90-8M-30	12	2517	65	229.18	227.81	-	204	38	120	7	45				
112-8M-30	12	2517	65	285.21	283.83	-	260	38	120	7	45				
144-8M-30	12	2517	65	366.69	365.32	-	341	38	120	7	45				
												Without Flanges			

8M - SECTION 50

Part Number	Type	Bushing Type	Max Bore	R mm	S mm	Ø e mm	U mm	W mm	H mm	Y mm	Z mm	Flange	Material		
28-8M-50F	2	1108	28	71,30	69,93	77	52	60	-	19	22	With Flanges	Cast Iron		
30-8M-50F	4	1615	42	76,39	75,02	84	58	60	-	22	38				
32-8M-50F	4	1615	42	81,49	80,12	88	60	60	-	22	38				
34-8M-50F	4	1615	42	86,58	85,21	94	66	60	-	22	38				
36-8M-50F	4	1615	42	91,67	90,30	98	68	60	-	22	38				
38-8M-50F	4	1615	42	96,77	95,39	104	75	60	-	22	38				
40-8M-50F	2	2012	50	101,86	100,49	108	80	38	-	14	32				
44-8M-50F	2	2012	50	112,05	110,67	121	90	38	-	14	32				
48-8M-50F	2	2012	50	122,23	120,86	129	100	38	-	14	32				
56-8M-50F	2	2517	65	142,60	141,23	149	120	38	-	7.5	45				
64-8M-50F	5	2517	65	162,97	161,60	168	138	60	120	7.5	45				
72-8M-50F	5	2517	65	183,35	181,97	191	158	60	120	7.5	45				
80-8M-50F	7	3020	75	203,72	202,35	-	178	60	140	4.5	51				
90-8M-50	7	3020	75	229,18	227,81	-	204	60	146	4.5	51				
112-8M-50	14	3020	75	285,21	283,83	-	260	60	146	4.5	51				
144-8M-50	14	3020	75	366,69	365,32	-	341	60	146	4.5	51				
168-8M-50	14	3020	75	427,80	426,42	-	402	60	146	4.5	51				
192-8M-50	14	3020	75	488,92	487,54	-	462	60	146	4.5	51				
												Without Flanges			

8M - SECTION 85

Part Number	Type	Bushing Type	Bushing Max Bore	R mm	S mm	Ø e mm	U mm	W mm	H mm	Z mm	Y mm	Flange	Material
34-8M-85F	2	1615	42	86,58	85,21	94	66	95	-	28.5	38	With Flanges	Cast Iron
36-8M-85F	2	1615	42	91,67	90,30	98	68	95	-	28.5	38		
38-8M-85F	2	1615	42	96,77	95,39	104	75	95	-	28.5	38		
40-8M-85F	2	2012	50	101,86	100,49	108	80	95	-	31.5	32		
44-8M-85F	2	2012	50	112,05	110,67	121	90	95	-	31.5	32		
48-8M-85F	2	2517	65	122,23	120,86	129	100	95	-	25	45		
56-8M-85F	2	2517	65	142,60	141,23	149	120	95	-	25	45		
64-8M-85F	2	2517	65	162,97	161,60	168	138	95	-	25	45		
72-8M-85F	2	3020	75	183,35	181,97	191	158	95	-	22	51		
80-8M-85	7	3020	75	203,72	202,35	-	178	95	140	22	51		
90-8M-85	7	3020	75	229,18	227,81	-	204	95	146	22	51		
112-8M-85	14	3020	75	285,21	283,83	-	260	95	146	22	51		
144-8M-85	14	3030	75	366,69	365,32	-	341	95	140	9.5	76		
168-8M-85	14	3030	75	427,80	426,42	-	402	95	140	9.5	76		
192-8M-85	14	3030	75	488,92	487,54	-	462	95	140	9.5	76		
												Without Flanges	

14M - SECTION 40

Part Number	Type	Bushing Type	Bushing Max Bore	R mm	S mm	Ø e mm	U mm	W mm	H mm	Z mm	Y mm	Flange	Material
28-14M-40F	2	2517	65	124.78	122.12	134	98	54	-	11	32	With Flanges	Cast Iron
29-14M-40F	2	2517	65	129.23	126.57	134	100	54	-	11	32		
30-14M-40F	2	2517	65	133.69	130.99	142	100	54	-	11	32		
32-14M-40F	2	2517	65	142.60	139.88	150	104	54	-	11	32		
34-14M-40F	2	2517	65	151.52	148.79	158	110	54	-	4.5	45		
36-14M-40F	2	2517	65	160.43	157.68	166	120	54	-	4.5	45		
38-14M-40F	2	2517	65	169.34	166.60	177	130	54	-	4.5	45		
40-14M-40F	2	2517	65	178.25	175.49	186	138	54	-	4.5	45		
44-14M-40F	2	3020	75	196.08	193.28	209	154	54	-	1.5	51		
48-14M-40F	2	3020	75	213.90	211.11	216	172	54	-	1.5	51		
56-14M-40F	5	3020	75	249.56	246.76	261	207	54	146	1.5	51		
64-14M-40F	5	3020	75	285.21	282.41	288	243	54	146	1.5	51		
72-14M-40	7	3020	75	320.86	318.06	-	279	54	146	1.5	51		
80-14M-40	14	3020	75	356.51	353.71	-	314	54	146	1.5	51		
90-14M-40	14	3020	75	401.07	398.28	-	359	54	146	1.5	51		
112-14M-40	14	3020	75	499.11	496.32	-	457	54	146	1.5	51		
144-14M-40	14	3020	75	641.71	638.92	-	600	54	146	1.5	51		
168-14M-40	14	3020	75	784.66	745.87	-	705	54	146	1.5	51		
192-14M-40	12	3535	90	855.62	852.82	-	812	54	178	35	89		
216-14M-40	12	3535	90	962.57	959.77	-	920	54	178	35	89		
264-14M-40	12	3535	90	1176.47	1173.67	-	1133	54	178	35	89		
												Without Flanges	

14M - SECTION 55

Part Number	Type	Bushing		R mm	S mm	Ø e mm	U mm	W mm	H mm	Z mm	Y mm	Flange	Material	
		Type	Max Bore											
28-14M-55F	2	2012	50	124,78	122,12	134	98	70	-	19	32	With Flanges	Cast Iron	
29-14M-55F	2	2012	50	129,23	126,57	134	100	70	-	19	32			
30-14M-55F	2	2517	65	133,69	130,99	142	100	70	-	12,5	45			
32-14M-55F	2	2517	65	142,60	139,88	150	104	70	-	12,5	45			
34-14M-55F	2	2517	65	151,52	148,79	158	110	70	-	12,5	45			
36-14M-55F	2	2517	65	160,43	157,68	166	120	70	-	12,5	45			
38-14M-55F	2	2517	65	169,34	166,60	177	130	70	-	12,5	45			
40-14M-55F	2	2517	65	178,25	175,49	186	138	70	-	12,5	45			
44-14M-55F	2	3020	75	196,08	193,28	209	154	70	-	9,5	51			
48-14M-55F	2	3020	75	213,90	211,11	216	172	70	-	9,5	51			
56-14M-55F	5	3020	75	249,56	246,76	261	207	70	146	9,5	51			
64-14M-55F	5	3020	75	285,21	282,41	288	243	70	146	9,5	51			
72-14M-55	7	3020	75	320,86	318,06	-	279	70	146	9,5	51			
80-14M-55	14	3020	75	356,51	353,71	-	314	70	146	9,5	51			
90-14M-55	14	3020	75	401,07	398,28	-	359	70	146	9,5	51			
112-14M-55	14	3020	75	499,11	496,32	-	457	70	146	9,5	51			
144-14M-55	14	3020	75	641,71	638,92	-	600	70	146	9,5	51			
168-14M-55	14	3020	75	784,66	745,87	-	705	70	146	9,5	51			
192-14M-55	12	3535	90	855,62	852,82	-	812	70	178	19	89			
216-14M-55	12	3535	90	962,57	959,77	-	920	70	178	19	89			
264-14M-55	12	3535	90	1176,47	1173,67	-	1133	70	178	19	89			
												Without Flanges		

14M - SECTION 85

Part Number	Type	Bushing		R mm	S mm	Ø e mm	U mm	W mm	H mm	Z mm	Y mm	Flange	Material	
		Type	Max Bore											
28-14M-85F	2	2517	65	124,78	122,12	134	98	102	-	28,5	45	With Flanges	Cast Iron	
29-14M-85F	2	2517	65	129,23	126,57	134	100	102	-	28,5	45			
30-14M-85F	2	2517	65	133,69	130,99	142	100	102	-	28,5	45			
32-14M-85F	2	2517	65	142,60	139,88	150	104	102	-	28,5	45			
34-14M-85F	2	2517	65	151,52	148,79	158	110	102	-	28,5	45			
36-14M-85F	2	3020	75	160,43	157,68	166	120	102	-	25,5	51			
38-14M-85F	2	3020	75	169,34	166,60	177	130	102	-	25,5	51			
40-14M-85F	2	3020	75	178,25	175,49	186	138	102	-	25,5	51			
44-14M-85F	2	3030	75	196,08	193,28	209	154	102	-	13	76			
48-14M-85F	2	3030	75	213,90	211,11	216	172	102	-	13	76			
56-14M-85F	2	3535	90	249,56	246,76	261	207	102	-	6,5	89			
64-14M-85F	5	3535	90	285,21	282,41	288	243	102	178	6,5	89			
72-14M-85	7	3535	90	320,86	318,06	-	279	102	178	6,5	89			
80-14M-85	14	3535	90	356,51	353,71	-	314	102	178	6,5	89			
90-14M-85	14	3535	90	401,07	398,28	-	359	102	178	6,5	89			
112-14M-85	14	3535	90	499,11	496,32	-	457	102	178	6,5	89			
144-14M-85	14	3535	90	641,71	638,92	-	600	102	178	6,5	89			
168-14M-85	14	3535	90	784,66	745,87	-	705	102	178	6,5	89			
192-14M-85	14	4040	100	855,62	852,82	-	812	102	215	0	102			
216-14M-85	14	4040	100	962,57	959,77	-	920	102	215	0	102			
264-14M-85	14	4040	100	1176,47	1173,67	-	1133	102	215	0	102			
												Without Flanges		

14M - SECTION 115

Part Number	Type	Bushing Type	Max Bore	R mm	S mm	Ø e mm	U mm	W mm	H mm	Z mm	Y mm	Flange	Material
28-14M-115F	2	2517	65	124,78	122,12	134	98	133	-	44	45	With Flanges	Cast Iron
29-14M-115F	2	2517	65	129,23	126,57	134	100	133	-	44	45		
30-14M-115F	2	2517	65	133,69	130,99	142	100	133	-	44	45		
32-14M-115F	2	2517	65	142,60	139,88	150	104	133	-	44	45		
34-14M-115F	2	2517	65	151,52	148,79	158	110	133	-	44	45		
36-14M-115F	2	3020	75	160,43	157,68	166	120	133	-	41	51		
38-14M-115F	2	3020	75	169,34	166,60	177	130	133	-	41	51		
40-14M-115F	2	3020	75	178,25	175,49	186	138	133	-	41	51		
44-14M-115F	2	3030	75	196,08	193,28	209	154	133	-	28.5	76		
48-14M-115F	2	3030	75	213,90	211,11	216	172	133	-	28.5	76		
56-14M-115F	2	3535	90	249,56	246,76	261	207	133	-	22	89		
64-14M-115F	5	3535	90	285,21	282,41	288	243	133	178	22	89		
72-14M-115	7	3535	90	320,86	318,06	-	279	133	178	22	89		
80-14M-115	14	3535	90	356,51	353,71	-	314	133	178	22	89		
90-14M-115	14	3535	90	401,07	398,28	-	359	133	178	22	89		
112-14M-115	14	3535	90	499,11	496,32	-	457	133	178	22	89		
144-14M-115	14	4040	100	641,71	638,92	-	600	133	215	15.5	102		
168-14M-115	14	4040	100	784,66	745,87	-	705	133	215	15.5	102		
192-14M-115	14	4040	100	855,62	852,82	-	812	133	215	15.5	102		
216-14M-115	14	4040	100	962,57	959,77	-	920	133	215	15.5	102		
264-14M-115	14	5050	100	1176,47	1173,67	-	1133	133	267	3	127		
												Without Flanges	

14M - SECTION 170

Part Number	Type	Bushing Type	Max Bore	R mm	S mm	Ø e mm	U mm	W mm	H mm	Z mm	Y mm	Flange	Material
38-14M-170F	2	3030	75	169,34	166,60	177	130	187	-	55.5	76	With Flanges	Cast Iron
40-14M-170F	2	3030	75	178,25	175,49	186	138	187	-	55.5	76		
44-14M-170F	2	3535	90	196,08	193,28	209	154	187	-	49	89		
48-14M-170F	2	3535	90	213,90	211,11	216	172	187	-	49	89		
56-14M-170F	2	3535	90	249,56	246,76	261	207	187	-	49	89		
64-14M-170F	2	4040	100	285,21	282,41	288	243	187	-	42.5	102		
72-14M-170	7	4040	100	320,86	318,06	-	279	187	215	42.5	102		
80-14M-170	7	4040	100	356,51	353,71	-	314	187	215	42.5	102		
90-14M-170	14	4040	100	401,07	398,28	-	359	187	215	42.5	102		
112-14M-170	14	5050	125	499,11	496,32	-	457	187	267	30	127		
144-14M-170	14	5050	125	641,71	638,92	-	600	187	267	30	127		
168-14M-170	14	5050	125	784,66	745,87	-	705	187	267	30	127		
192-14M-170	14	5050	125	855,62	852,82	-	812	187	267	30	127		
216-14M-170	14	5050	125	962,57	959,77	-	920	187	267	30	127		
264-14M-170	14	5050	125	1176,47	1173,67	-	1133	187	267	30	127		
												Without Flanges	



TIMING PULLEYS



HTD TIMING PULLEYS PILOT BORE

Description

Dunlop HTD timing belt pulleys are manufactured from either C45 steel with black oxide surface treatment, cast iron EN-GJL-200 and black phosphate or aluminium 6082. Pulley flanges are produced from S235JR steel.

HTD timing belt pulleys are available to suit all HTD pitch sizes, 3M, 5M, 8M & 14M and are available from stock in both taper and pilot bore options.

Part numbers are identified by a 2 or 3 digit number (e.g. 44) which represents the number of teeth, a number and a letter (e.g. 8M) the pulleys pitch and a 2 or 3 digit number (e.g. 30) the width of the appropriate corresponding timing belt, for example 44-8M-30F.

3M - SECTION 09

Part Number	Teeth	Type	R mm	S mm	Ø e mm	H mm	W mm	Y mm	Z mm	Flange	Material
10-3M-09F	10	3	9.55	8.79	12.0	12.0	10.2	17.5	7.3	With Flanges	Aluminium
12-3M-09F	12	3	11.46	10.70	16.0	15.0	10.2	17.5	7.3		
14-3M-09F	14	3	13.37	12.61	18.0	18.0	10.2	17.5	7.3		
15-3M-09F	15	3	14.32	13.56	16.0	18.0	10.2	17.5	7.3		
16-3M-09F	16	1	15.28	14.52	20.0	10.0	12.8	20.6	7.8		
18-3M-09F	18	1	17.19	16.43	20.0	11.0	12.8	20.6	7.8		
20-3M-09F	20	1	19.10	18.34	23.0	13.0	12.8	20.6	7.8		
21-3M-09F	21	1	20.05	19.29	24.0	14.0	12.8	20.6	7.8		
22-3M-09F	22	1	21.01	20.05	25.0	14.0	12.8	20.6	7.8		
24-3M-09F	24	1	22.92	22.16	27.0	14.0	12.8	20.6	7.8		
26-3M-09F	26	1	24.83	24.07	27.0	16.0	12.8	20.6	7.8		
28-3M-09F	28	1	26.74	25.98	30.0	18.0	12.8	20.6	7.8		
30-3M-09F	30	1	28.65	27.89	33.0	20.0	12.8	20.6	7.8		
32-3M-09F	32	1	30.56	29.80	33.0	22.0	12.8	20.6	7.8		
36-3M-09F	36	1	34.38	33.62	40.0	26.0	13.4	22.2	8.8		
40-3M-09F	40	1	38.20	37.44	46.0	28.0	13.4	22.2	8.8		
44-3M-09F	44	1	42.02	41.26	46.0	33.0	13.4	22.2	8.8		
48-3M-09	48	7	45.84	45.08	-	33.0	13.4	22.2	8.8	Without Flanges	Aluminium
60-3M-09	50	7	57.30	56.54	-	33.0	13.4	22.2	8.8		
72-3M-09	72	7	68.75	67.99	-	33.0	13.4	22.2	8.8		

3M - SECTION 15

Part Number	Teeth	Type	R mm	S mm	Ø e mm	H mm	W mm	Y mm	Z mm	Flange	Material
10-3M-15F	10	3	9.55	8.79	12.0	12.0	17.0	26.0	9	With Flanges	Aluminium
12-3M-15F	12	3	11.46	10.70	16.0	15.0	17.0	26.0	9		
14-3M-15F	14	3	13.37	12.61	18.0	18.0	17.0	26.0	9		
15-3M-15F	15	3	14.32	13.56	16.0	18.0	17.0	26.0	9		
16-3M-15F	16	1	15.28	14.52	20.0	10.0	19.5	26.0	6.5		
18-3M-15F	18	1	17.19	16.43	20.0	11.0	19.5	26.0	6.5		
20-3M-15F	20	1	19.10	18.34	23.0	13.0	19.5	26.0	6.5		
21-3M-15F	21	1	20.05	19.29	24.0	14.0	19.5	26.0	6.5		

3M - SECTION 15 continued

Part Number	Teeth	Type	R mm	S mm	Ø e mm	H mm	W mm	Y mm	Z mm	Flange	Material
22-3M-15F	22	1	21.01	20.05	25.0	14.0	19.5	26.0	6.5	With Flanges	Aluminium
24-3M-15F	24	1	22.92	22.16	27.0	14.0	19.5	26.0	6.5		
26-3M-15F	26	1	24.83	24.07	27.0	16.0	19.5	26.0	6.5		
28-3M-15F	28	1	26.74	25.98	30.0	18.0	19.5	26.0	6.5		
30-3M-15F	30	1	28.65	27.89	33.0	20.0	19.5	26.0	6.5		
32-3M-15F	32	1	30.56	29.80	33.0	22.0	19.5	26.0	6.5		
36-3M-15F	36	1	34.38	33.62	40.0	26.0	20.0	30.0	10		
40-3M-15F	40	1	38.20	37.44	46.0	28.0	20.0	30.0	10		
44-3M-15F	44	1	42.02	41.26	46.0	33.0	20.0	30.0	10		
48-3M-15	48	7	45.84	45.08	-	33.0	20.0	30.0	10	Without Flanges	Aluminium
60-3M-15	60	7	57.30	56.54	-	33.0	20.0	30.0	10		
72-3M-15	72	7	68.75	67.99	-	33.0	20.0	30.0	10		

5M - SECTION 09

Part Number	Teeth	Type	R mm	S mm	Ø e mm	U mm	W mm	H mm	Y mm	Z mm	Flange	Material
12-5M-09F	12	1	19.10	17.96	23	-	14.5	13,0	20.0	5.5	With Flanges	Steel
14-5M-09F	14	1	22.28	21.14	24	-	14.5	14,0	20.0	5.5		
15-5M-09F	15	1	23.87	22.73	27	-	14.5	16,0	20.0	5.5		
16-5M-09F	16	1	25.47	24.32	27	-	14.5	16,5	20.0	5.5		
18-5M-09F	18	1	28.65	27.51	30	-	14.5	20,0	20.0	5.5		
20-5M-09F	20	1	31.83	30.69	33	-	14.5	23,0	22.5	8.0		
21-5M-09F	21	1	33.42	32.28	36	-	14.5	24,0	22.5	8.0		
22-5M-09F	22	1	35.01	33.87	36	-	14.5	25,0	22.5	8.0		
24-5M-09F	24	1	38.19	37.06	40	-	14.5	27,0	22.5	8.0		
26-5M-09F	26	1	41.38	40.24	46	-	14.5	30,0	22.5	8.0		
28-5M-09F	28	1	44.56	43.42	50	-	14.5	30,5	22.5	8.0		
30-5M-09F	30	1	47.75	46.61	50	-	14.5	35,0	22.5	8.0		
32-5M-09F	32	1	50.93	49.79	55	-	14.5	38,0	22.5	8.0		
36-5M-09F	36	1	57.30	56.16	62	-	14.5	38,0	22.5	8.0		
40-5M-09	40	1	63.66	62.52	67	-	14.5	38,0	22.5	8.0	Without Flanges	Aluminium
44-5M-09	44	7	70.03	68.89	-	-	14.5	38,0	25.5	11.0		
48-5M-09	48	7	76.39	75.25	-	-	14.5	45,0	25.5	11.0		
60-5M-09	60	7	95.49	94.35	-	-	14.5	45,0	25.5	11.0		
72-5M-09	72	3	114.59	113.45	-	90	14.5	45,0	25.5	11.0		

5M - SECTION 15

Part Number	Teeth	Type	R mm	S mm	Ø e mm	U mm	W mm	H mm	Y mm	Z mm	Flange	Material
12-5M-15F	12	1	19.10	17.96	23	-	20.5	13.0	26.0	5.5	With Flanges	Steel
14-5M-15F	14	1	22.28	21.14	24	-	20.5	14.0	26.0	5.5		
15-5M-15F	15	1	23.87	22.73	27	-	20.5	16.0	26.0	5.5		
16-5M-15F	16	1	25.47	24.32	27	-	20.5	16.5	26.0	5.5		

5M - SECTION 15 continued

Part Number	Teeth	Type	R mm	S mm	Ø e mm	U mm	W mm	H mm	Y mm	Z mm	Flange	Material
18-5M-15F	18	1	28,65	27.51	30	-	20.5	20.0	26.0	5.5	With Flanges	Steel
20-5M-15F	20	1	31,83	30.69	33	-	20.5	23.0	26.0	5.5		
21-5M-15F	21	1	33,42	32.28	36	-	20.5	24.0	26.0	5.5		
22-5M-15F	22	1	35,01	33.87	36	-	20.5	25.5	26.0	5.5		
24-5M-15F	24	1	38.19	37.06	40	-	20.5	27.0	28.0	7.5		
26-5M-15F	26	1	41.38	40.24	46	-	20.5	30.0	28.0	7.5		
28-5M-15F	28	1	44.56	43.42	50	-	20.5	30.5	28.0	7.5		
30-5M-15F	30	1	47.75	46.61	50	-	20.5	35.0	28.0	7.5		
32-5M-15F	32	1	50.93	49.79	55	-	20.5	38.0	28.0	7.5		
36-5M-15F	36	1	57.30	56.16	62	-	20.5	38.0	28.0	7.5		
40-5M-15F	40	1	63.66	62.52	67	-	20.5	38.0	28.0	7.5		
44-5M-15	44	7	70.03	68.89	-	-	20.5	38.0	30.0	9.5	Without Flanges	Aluminium
48-5M-15	48	7	76.39	75.25	-	-	20.5	38.0	30.0	9.5		
60-5M-15	60	7	95.49	94.35	-	-	20.5	50.0	30.0	9.5		
72-5M-15	72	3	114.59	113.45	-	90	20.5	50.0	30.0	9.5		

5M - SECTION 25

Part Number	Teeth	Type	R mm	S mm	Ø e mm	U mm	W mm	H mm	Y mm	Z mm	Flange	Material
12-5M-25F	12	1	19.10	17.96	23	-	30.0	13.0	36.0	6	With Flanges	Steel
14-5M-25F	14	1	22.28	21.14	24	-	30.0	14.0	36.0	6		
15-5M-25F	15	1	23.87	22.73	27	-	30.0	16.0	36.0	6		
16-5M-25F	16	1	25.47	24.32	27	-	30.0	16.5	36.0	6		
18-5M-25F	18	1	28.65	27.51	30	-	30.0	20.0	36.0	6		
20-5M-25F	20	1	31.83	30.69	33	-	30.0	23.0	36.0	6		
21-5M-25F	21	1	33.42	32.28	36	-	30.0	24.0	38.0	8		
22-5M-25F	22	1	35.01	33.87	36	-	30.0	25.5	38.0	8		
24-5M-25F	24	1	38.19	37.06	40	-	30.0	27.0	38.0	8		
26-5M-25F	26	1	41.38	40.24	46	-	30.0	30.0	38.0	8		
28-5M-25F	28	1	44.56	43.42	50	-	30.0	30.5	38.0	8		
30-5M-25F	30	1	47.75	46.61	50	-	30.0	35.0	38.0	8		
32-5M-25F	32	1	50.93	49.79	55	-	30.0	38.0	38.0	8		
36-5M-25F	36	1	57.30	56.16	62	-	30.0	38.0	38.0	8		
40-5M-25F	40	1	63.66	62.52	67	-	30.0	38.0	38.0	8		
44-5M-25	44	7	70.03	68.89	-	-	30.0	38.0	40.0	10	Without Flanges	Aluminium
48-5M-25	48	7	76.39	75.25	-	-	30.0	38.0	40.0	10		
60-5M-25	60	7	95.49	94.35	-	-	30.0	50.0	40.0	10		
72-5M-25	72	3	114.59	113.45	-	90	30.0	50.0	40.0	10		

8M - SECTION 20

Part Number	Teeth	Type	R mm	S mm	Ø e mm	U mm	W mm	H mm	Y mm	Z mm	Ø d mm	Flange	Material
18-8M-20F	18	1	45.84	44.46	50	-	28	32	38	10	-	With Flanges	Steel
20-8M-20F	20	1	50.93	49.56	55	-	28	36	38	10	-		
22-8M-20F	22	1	56.02	54.65	62	-	28	43	38	10	-		
24-8M-20F	24	1	61.12	59.74	67	-	28	49	38	10	-		
26-8M-20F	26	1	66.21	64.84	73	-	28	50	38	10	-		
28-8M-20F	28	1	71.30	69.93	77	-	28	55	38	10	-		
30-8M-20F	30	1	76.39	75.02	84	-	28	60	38	10	-		
32-8M-20F	32	1	81.49	80.12	88	-	28	64	38	10	-		
34-8M-20F	34	1	86.58	85.21	94	-	28	70	38	10	-		
36-8M-20F	36	1	91.67	90.30	98	-	28	75	38	10	-		
38-8M-20F	38	1	96.77	95.39	104	-	28	80	38	10	-		
40-8M-20F	40	1	101.86	100.49	108	-	28	85	38	10	-		
44-8M-20F	44	1	112.05	110.67	121	-	28	96	38	10	-		
48-8M-20F	48	1	122.23	120.86	129	-	28	104	38	10	-		
56-8M-20F	56	2	142.60	141.23	149	117	28	80	38	10	-		
60-8M-20F	60	2	152.79	151.42	158	127	28	80	38	10	-		
64-8M-20F	64	2	162.97	161.60	168	137	28	80	38	10	-		
72-8M-20F	72	2	183.35	181.97	191	158	28	80	38	10	-		
80-8M-20	80	6	203.72	202.35	-	179	28	90	38	10	-		
84-8M-20	84	6	213.90	212.53	-	190	28	90	38	10	-		
90-8M-20	90	6	229.18	227.81	-	204	28	90	38	10	-		
112-8M-20	112	5	285.21	283.83	-	260	28	90	38	10	19		
144-8M-20	144	5	366.69	365.32	-	342	28	90	38	10	19		
168-8M-20	168	5	427.80	426.42	-	403	28	100	38	10	19		
192-8M-20	192	5	488.92	487.54	-	465	28	100	38	10	19		

8M - SECTION 30

Part Number	Teeth	Type	R mm	S mm	Ø e mm	U mm	W mm	H mm	Y mm	Z mm	Ø d mm	Flange	Material
18-8M-30F	18	1	45.84	44.46	50	-	38	32	48	10	-	With Flanges	Steel
20-8M-30F	20	1	50.93	49.56	55	-	38	36	48	10	-		
22-8M-30F	22	1	56.02	54.65	62	-	38	43	48	10	-		
24-8M-30F	24	1	61.12	59.74	67	-	38	49	48	10	-		
26-8M-30F	26	1	66.21	64.84	73	-	38	50	48	10	-		
28-8M-30F	28	1	71.30	69.93	77	-	38	55	48	10	-		
30-8M-30F	30	1	76.39	75.02	84	-	38	60	48	10	-		
32-8M-30F	32	1	81.49	80.12	88	-	38	64	48	10	-		
34-8M-30F	34	1	86.58	85.21	94	-	38	70	48	10	-		
36-8M-30F	36	1	91.67	90.30	98	-	38	75	48	10	-		
38-8M-30F	38	1	96.77	95.39	104	-	38	80	48	10	-		
40-8M-30F	40	1	101.86	100.49	108	-	38	85	48	10	-		
44-8M-30F	44	2	112.05	110.67	121	-	38	96	48	10	-		
48-8M-30F	48	2	122.23	120.86	129	-	38	104	48	10	-		
56-8M-30F	56	2	142.60	141.23	149	117	38	90	48	10	-		

8M - SECTION 30 continued

Part Number	Teeth	Type	R mm	S mm	Ø e mm	U mm	W mm	H mm	Y mm	Z mm	Ø d mm	Flange	Material
60-8M-30	60	2	152.79	151.42	158	127	38	90	48	10	-	Without Flanges	Cast Iron
64-8M-30	64	2	162.97	161.60	168	137	38	90	48	10	-		
72-8M-30	72	2	183.35	181.97	191	158	38	95	48	10	-		
80-8M-30	80	6	203.72	202.35	-	179	38	100	48	10	-		
84-8M-30	84	6	213.90	212.53	-	190	38	100	48	10	-		
90-8M-30	90	6	229.18	227.81	-	204	38	100	48	10	-		
112-8M-30	112	5	285.21	283.83	-	260	38	100	48	10	19		
144-8M-30	144	5	366.69	365.32	-	342	38	100	48	10	19		
168-8M-30	168	5	427.80	426.42	-	403	38	100	48	10	19		
192-8M-30	192	5	488.92	487.54	-	465	38	100	48	10	19		

8M - SECTION 50

Part Number	Teeth	Type	R mm	S mm	Ø e mm	U mm	W mm	H mm	Y mm	Z mm	Ø d mm	Flange	Material
18-8M-50F	18	1	45.84	44.46	50	-	60	32	70	10	-	With Flanges	Steel
20-8M-50F	20	1	50.93	49.56	55	-	60	36	70	10	-		
22-8M-50F	22	1	56.02	54.65	62	-	60	43	70	10	-		
24-8M-50F	24	1	61.12	59.74	67	-	60	49	70	10	-		
26-8M-50F	26	1	66.21	64.84	73	-	60	50	70	10	-		
28-8M-50F	28	1	71.30	69.93	77	-	60	55	70	10	-		
30-8M-50F	30	1	76.39	75.02	84	-	60	60	70	10	-		
32-8M-50F	32	1	81.49	80.12	88	-	60	64	70	10	-		
34-8M-50F	34	1	86.58	85.21	94	-	60	70	70	10	-		
36-8M-50F	36	1	91.67	90.30	98	-	60	75	70	10	-		
38-8M-50F	38	1	96.77	95.39	104	-	60	80	70	10	-		
40-8M-50F	40	1	101.86	100.49	108	-	60	85	70	10	-		
44-8M 50F	44	1	112.05	110.67	121	-	60	96	70	10	-		
48-8M 50F	48	1	122.23	120.86	129	-	60	104	70	10	-		
56-8M 50F	56	8	142.60	141.23	149	117	60	90	60	-	-		
60-8M 50F	60	8	152.79	151.42	158	127	60	100	60	-	-		
64-8M-50F	64	8	162.97	161.60	168	137	60	100	60	-	-		
72-8M-50F	72	8	183.35	181.97	191	158	60	100	60	-	-		
80-8M-50	80	9	203.72	202.35	-	179	60	110	60	-	-	Without Flanges	Cast Iron
84-8M-50	84	10	213.90	212.53	-	190	60	110	60	-	-		
90-8M-50	90	10	229.18	227.81	-	204	60	110	60	-	-		
112-8M-50	112	11	285.21	283.83	-	260	60	110	60	-	19		
144-8M-50	144	11	366.69	365.32	-	342	60	110	60	-	19		
168-8M-50	168	11	427.80	426.42	-	403	60	120	60	-	19		
192-8M-50	192	11	488.92	487.54	-	465	60	130	60	-	19		

8M - SECTION 85

Part Number	Teeth	Type	R mm	S mm	Ø e mm	U mm	W mm	H mm	Y mm	Z mm	Ø d mm	Flange	Material
22-8M-85F	22	1	56.02	54.65	62	-	95	43	105	10	-	With Flanges	Steel
24-8M-85F	24	1	61.12	59.74	67	-	95	49	105	10	-		
26-8M-85F	26	1	66.21	64.84	73	-	95	50	105	10	-		
28-8M-85F	28	1	71.30	69.93	77	-	95	55	105	10	-		
30-8M-85F	30	1	76.39	75.02	84	-	95	60	105	10	-		
32-8M-85F	32	1	81.49	80.12	88	-	95	64	105	10	-		
34-8M-85F	34	1	86.58	85.21	94	-	95	70	105	10	-		
36-8M-85F	36	1	91.67	90.30	98	-	95	75	105	10	-		
38-8M-85F	38	1	96.77	95.39	104	-	95	80	105	10	-		
40-8M-85F	40	1	101.86	100.49	108	-	95	85	105	10	-		
44-8M-85F	44	1	112.05	110.67	121	-	95	96	105	10	-		
48-8M-85F	48	1	122.23	120.86	129	-	95	104	105	10	-		
56-8M-85F	56	1	142.60	141.23	149	-	95	107	105	10	-		
60-8M-85F	60	1	152.79	151.42	158	-	95	132	105	10	-		
64-8M-85F	64	8	162.97	161.60	168	137	95	100	95	-	-		
72-8M-85F	72	8	183.35	181.97	191	158	95	110	95	-	-		
80-8M-85	80	9	203.72	202.35	-	179	95	110	95	-	-		
84-8M-85	84	9	213.90	212.53	-	190	95	110	95	-	-		
90-8M-85	90	10	229.18	227.81	-	204	95	110	95	-	-		
112-8M-85	112	11	285.21	283.83	-	260	95	110	95	-	19		
144-8M-85	144	11	366.69	365.32	-	342	95	120	95	-	19		
168-8M-85	168	11	427.80	426.42	-	403	95	120	95	-	19		
192-8M-85	192	11	488.92	487.54	-	465	95	130	95	-	19		
												Without Flanges	Cast Iron

14M - SECTION 40

Part Number	Teeth	Type	R mm	S mm	Ø e mm	U mm	W mm	H mm	Y mm	Z mm	Ø d mm	Flange	Material
28-14M-40F	28	1	124.78	122.12	134	-	54	100	69	15	-	With Flanges	Cast Iron
29-14M-40F	29	1	129.23	126.57	134	-	54	107	69	15	-		
30-14M-40F	30	1	133.69	130.99	142	-	54	107	69	15	-		
32-14M-40F	32	1	142.60	139.88	150	-	54	114	69	15	-		
34-14M-40F	34	1	151.51	148.79	158	-	54	122	69	15	-		
36-14M-40F	36	1	160.43	157.68	166	-	54	128	69	15	-		
38-14M-40F	38	1	169.34	166.60	177	-	54	141	69	15	-		
40-14M-40F	40	1	178.25	175.49	186	-	54	148	69	15	-		
44-14M-40F	44	2	196.08	193.28	209	154	54	120	69	15	-		
48-14M-40F	48	2	213.90	211.11	216	172	54	135	69	15	-		
56-14M-40F	56	2	249.56	246.76	261	207	54	135	69	15	-		
60-14M-40F	60	2	267.38	264.59	274	225	54	135	69	15	-		
64-14M-40F	64	2	285.21	282.41	288	243	54	135	69	15	-		
72-14M-40	72	5	320.86	318.06	-	279	54	135	69	15	19		
80-14M-40	80	5	356.51	353.71	-	314	54	135	69	15	19		
84-14M-40	84	5	374.33	371.54	-	332	54	135	69	15	19		
90-14M-40	90	5	401.07	398.28	-	359	54	135	69	15	19		
112-14M-40	112	5	499.11	496.32	-	457	54	135	69	15	19		
144-14M-40	144	5	641.71	638.92	-	600	54	135	69	15	19		
												Without Flanges	Cast Iron

14M - SECTION 55

Part Number	Teeth	Type	R mm	S mm	Ø e mm	U mm	W mm	H mm	Y mm	Z mm	Ø d mm	Flange	Material	
28-14M-55F	28	1	124.78	122.12	134	-	70	107	85	15	-	With Flanges	Cast Iron	
29-14M-55F	29	1	129.23	126.57	134	-	70	107	85	15	-			
30-14M-55F	30	1	133.69	130.99	142	-	70	107	85	15	-			
32-14M-55F	32	1	142.60	139.88	150	-	70	114	85	15	-			
34-14M-55F	34	1	151.51	148.79	158	-	70	122	85	15	-			
36-14M-55F	36	1	160.43	157.68	166	-	70	128	85	15	-			
38-14M-55F	38	1	169.34	166.60	177	-	70	141	85	15	-			
40-14M-55F	40	1	178.25	175.49	186	-	70	148	85	15	-			
44-14M-55F	44	2	196.08	193.28	209	154	70	120	85	15	-			
48-14M-55F	48	8	213.90	211.11	216	172	70	135	70	-	-			
56-14M-55F	56	8	249.56	246.76	261	207	70	135	70	-	-			
60-14M-55F	60	8	267.38	264.59	274	225	70	135	70	-	-			
64-14M-55F	64	8	285.21	282.41	288	243	70	135	70	-	-			
72-14M-55	72	11	320.86	318.06	-	279	70	135	70	-	19			With Flanges
80-14M-55	80	11	356.51	353.71	-	314	70	135	70	-	19			
84-14M-55	84	11	374.33	371.54	-	332	70	135	70	-	19			
90-14M-55	90	11	401.07	398.28	-	359	70	135	70	-	19			
112-14M-55	112	11	499.11	496.32	-	457	70	135	70	-	19			
144-14M-55	144	11	641.71	638.92	-	600	70	135	70	-	19			

14M - SECTION 85

Part Number	Teeth	Type	R mm	S mm	Ø e mm	U mm	W mm	H mm	Y mm	Z mm	Ø d mm	Flange	Material	
28-14M-85F	28	1	124.78	122.12	134	-	102	100	117	15	-	With Flanges	Cast Iron	
29-14M-85F	29	1	129.23	126.57	134	-	102	107	117	15	-			
30-14M-85F	30	1	133.69	130.99	142	-	102	107	117	15	-			
32-14M-85F	32	1	142.60	139.88	150	-	102	114	117	15	-			
34-14M-85F	34	1	151.51	148.79	158	-	102	122	117	15	-			
36-14M-85F	36	1	160.43	157.68	166	-	102	128	117	15	-			
38-14M-85F	38	1	169.34	166.60	177	-	102	141	117	15	-			
40-14M-85F	40	1	178.25	175.49	186	-	102	148	117	15	-			
44-14M-85F	44	1	196.08	193.28	209	-	102	169	117	15	-			
48-14M-85F	48	1	213.90	211.11	216	-	102	186	117	15	-			
56-14M-85F	56	8	249.56	246.76	261	207	102	150	102	-	-			
60-14M-85F	60	8	267.38	264.59	274	225	102	150	102	-	-			
64-14M-85F	64	8	285.21	282.41	288	243	102	150	102	-	-			
72-14M-85	72	11	320.86	318.06	-	279	102	150	102	-	19			With Flanges
80-14M-85	80	11	356.51	353.71	-	314	102	150	102	-	19			
84-14M-85	84	11	374.33	371.54	-	332	102	150	102	-	19			
90-14M-85	90	11	401.07	398.28	-	359	102	150	102	-	19			
112-14M-85	112	11	499.11	496.32	-	457	102	150	102	-	19			
144-14M-85	144	11	641.71	638.92	-	600	102	150	102	-	19			

14M - SECTION 115

Part Number	Teeth	Type	R mm	S mm	Ø e mm	U mm	W mm	H mm	Y mm	Z mm	Ø d mm	Flange	Material
28-14M-115F	29	1	124.78	122.12	134	-	133	100	148	15	-	With Flanges	Cast Iron
29-14M-115F	29	1	129.23	126.57	134	-	133	107	148	15	-		
30-14M-115F	30	1	133.69	130.99	142	-	133	107	148	15	-		
32-14M-115F	32	1	142.60	139.88	150	-	133	114	148	15	-		
34-14M-115F	34	1	151.51	148.79	158	-	133	122	148	15	-		
36-14M-115F	36	1	160.43	157.68	166	-	133	128	148	15	-		
38-14M-115F	38	1	169.34	166.60	177	-	133	141	148	15	-		
40-14M-115F	40	1	178.25	175.49	186	-	133	148	148	15	-		
44-14M-115F	44	1	196.08	193.28	209	-	133	169	148	15	-		
48-14M-115F	48	1	213.90	211.11	216	-	133	186	148	15	-		
56-14M-115F	56	2	249.56	246.76	261	207	133	150	148	-	-		
60-14M-115F	60	8	267.38	264.59	274	225	133	150	133	-	-		
64-14M-115F	64	8	285.21	282.41	288	243	133	150	133	-	-		
72-14M-115	72	11	320.86	318.06	-	279	133	150	133	-	19		
80-14M-115	80	11	356.51	353.71	-	314	133	150	133	-	19		
84-14M-115	84	11	374.33	371.54	-	332	133	150	133	-	19		
90-14M-115	90	11	401.07	398.28	-	359	133	150	133	-	19		
112-14M-115	112	11	499.11	496.32	-	457	133	150	133	-	19		
144-14M-115	144	11	641.71	638.92	-	600	133	150	133	-	19		

14M - SECTION 170

Part Number	Teeth	Type	R mm	S mm	Ø e mm	U mm	W mm	H mm	Y mm	Z mm	Ø d mm	Flange	Material
28-14M-170F	28	1	124.78	122.12	134	-	187	100	202	15	-	With Flanges	Cast Iron
29-14M-170F	29	1	129.23	126.57	134	-	187	107	202	15	-		
30-14M-170F	30	1	133.69	130.99	142	-	187	107	202	15	-		
32-14M-170F	32	1	142.60	139.88	150	-	187	114	202	15	-		
34-14M-170F	34	1	151.51	148.79	158	-	187	122	202	15	-		
36-14M-170F	36	1	160.43	157.68	166	-	187	128	202	15	-		
38-14M-170F	38	1	169.34	166.60	177	-	187	141	202	15	-		
40-14M-170F	40	1	178.25	175.49	186	-	187	148	202	15	-		
44-14M-170F	44	1	196.08	193.28	209	-	187	169	202	15	-		
48-14M-170F	48	1	213.90	211.11	216	-	187	186	202	15	-		
56-14M-170F	56	2	249.56	246.76	261	207	187	160	202	-	-		
60-14M-170F	60	2	267.38	264.59	274	225	187	160	202	-	-		
64-14M-170F	64	2	285.21	282.41	288	243	187	180	202	-	-		
72-14M-170	72	12	320.86	318.06	-	279	187	180	187	-	19		
80-14M-170	80	12	356.51	353.71	-	314	187	180	187	-	19		
84-14M-170	84	11	374.33	371.54	-	332	187	180	187	-	19		
90-14M-170	90	11	401.07	398.28	-	359	187	180	187	-	19		
112-14M-170	112	11	499.11	496.32	-	457	187	200	187	-	19		
144-14M-170	144	11	641.71	638.92	-	600	187	220	187	-	19		



TIMING PULLEYS



TIMING PULLEYS TAPER BORE (IMPERIAL)

Description

Dunlop imperial timing belt pulleys are manufactured from either C45 steel with black oxide surface treatment, cast iron EN-GJL-200 and black phosphate or aluminium 6082. Pulley flanges are produced from S235JR steel.

Imperial timing belt pulleys are available to suit all pitch sizes, XL, L, H & XH and are available from stock in both taper and pilot bore options.

Part numbers are identified by a 2 or 3 digit number (e.g. 44) which represents the number of teeth, one or two letters (e.g. XL) the pulleys pitch and a 3 digit number (e.g. 037) the width of the appropriate corresponding timing belt, for example 44-XL-037.

L - SECTION 050

Part Number	Type	Bushing		R Ø	S Ø	U Ø	e Ø	W	H Ø	Y	Z	Flange	Material
		Type	Max Bore										
18L050F	1	1108	28	54.57	53.81	-	62	19	47	22	3	With Flanges	Cast Iron
19L050F	1	1108	28	57.61	56.84	-	62	19	47	22	3		
20L050F	1	1108	28	60.64	59.88	-	67	19	48	22	3		
21L050F	1	1108	28	63.67	62.91	-	67	19	48	22	3		
22L050F	1	1108	28	66.70	65.94	-	73	19	51	22	3		
23L050F	1	1108	28	69.73	68.97	-	73	19	51	22	3		
24L050F	1	1108	28	72.77	72.01	-	80	19	58	22	3		
25L050F	1	1108	28	75.80	75.04	-	80	19	58	22	3		
26L050F	1	1108	28	78.83	78.07	-	88	19	58	22	3		
27L050F	1	1108	28	81.86	81.10	-	88	19	58	22	3		
28L050F	1	1108	28	84.89	84.13	-	94	19	58	22	3		
29L050F	1	1108	28	87.93	87.16	-	94	19	58	22	3		
30L050F	1	1108	28	90.96	90.20	-	98	19	58	22	3		
32L050F	1	1108	28	97.02	96.26	-	100	19	58	22	3		
33L050F	1	1108	28	100.05	99.29	-	108	19	58	22	3		
34L050F	1	1108	28	103.08	102.32	-	108	19	58	22	3		
35L050F	6	1108	28	106.12	105.35	84	113	19	58	22	3		
36L050F	6	1108	28	109.15	108.39	84	113	19	58	22	3		
40L050F	1	1610	42	121.28	120.52	-	129	19	90	25	6		
41L050F	1	1610	42	124.31	123.55	-	129	19	90	25	6		
42L050F	6	1610	42	127,34	126,58	110	137	19	90	25	6		
44L050F	6	1610	42	133,40	132,64	110	142	19	90	25	6		
45L050F	6	1610	42	136,44	135,67	118	142	19	90	25	6		
47L050F	6	1610	42	142,50	141,74	126	149	19	90	25	6		
48L050F	6	1610	42	145,53	144,77	126	151	19	90	25	6		
49L050	9	1610	42	148,56	147,80	132	-	19	90	25	6		
50L050	9	1610	42	151,60	150,83	132	-	19	90	25	6		
52L050	9	1610	42	157,66	156,90	138	-	19	90	25	6		
56L050	9	1610	42	169,79	169,02	152	-	19	90	25	6		
57L050	9	1610	42	172,82	172,06	152	-	19	90	25	6		
60L050	16	1610	42	181,91	181,15	162	-	19	90	25	3		
65L050	13	1610	42	197,07	196,31	178	-	19	90	25	3		
66L050	13	1610	42	200,11	199,34	178	-	19	90	25	3		
72L050	13	1610	42	218,30	217,54	199	-	19	90	25	3		
84L050	13	1610	42	254,68	253,92	235	-	19	90	25	3		

L - SECTION 050 continued

Part Number	Type	Bushing		R Ø	S Ø	U Ø	e Ø	W	H Ø	Y	Z	Flange	Material
		Type	Max Bore										
90L050	13	1610	42	272,87	272,11	253	-	19	90	25	3	Without Flanges	Cast Iron
96L050	13	2012	50	291,06	290,30	270	-	19	110	32	6,5		
120L050	13	2012	50	363,83	363,07	344	-	19	110	32	6,5		

L - SECTION 075

Part Number	Type	Bushing		R Ø	S Ø	U Ø	e Ø	W	H Ø	Y	Z	Flange	Material
		Type	Max Bore										
18L075F	4	1108	28	54,57	53,81	38	62	25	-	22	3	With Flanges	Cast Iron
19L075F	4	1108	28	57,61	56,84	38	62	25	-	22	3		
20L075F	4	1108	28	60,64	59,88	46	67	25	-	22	3		
21L075F	4	1108	28	63,67	62,91	46	67	25	-	22	3		
22L075F	4	1108	28	68,70	65,94	46	73	25	-	22	3		
23L075F	4	1108	28	69,73	68,97	46	73	25	-	22	3		
24L075F	4	1108	28	72,77	72,01	53	80	25	-	22	3		
25L075F	4	1108	28	75,80	75,04	53	80	25	-	22	3		
26L075F	4	1108	28	78,83	78,07	60	88	25	-	22	3		
27L075F	4	1108	28	81,86	81,10	60	88	25	-	22	3		
28L075F	4	1108	28	84,89	84,13	65	94	25	-	22	3		
29L075F	4	1108	28	87,93	87,16	65	94	25	-	22	3		
30L075F	4	1108	28	90,96	90,20	68	98	25	-	22	3		
32L075F	4	1108	28	97,02	96,26	76	100	25	-	22	3		
33L075F	4	1108	28	100,05	99,29	83	108	25	-	22	3		
34L075F	4	1108	28	103,08	102,32	85	108	25	-	22	3		
35L075F	2	1610	42	106,12	105,35	-	113	25	-	25	-		
36L075F	2	1610	42	109,15	108,39	-	113	25	-	25	-		
40L075F	2	1610	42	121,28	120,52	-	129	25	-	25	-		
41L075F	2	1610	42	124,31	123,55	-	129	25	-	25	-		
42L075F	7	1610	42	127,34	126,58	110	137	25	90	25	-		
44L075F	7	1610	42	133,40	132,64	110	142	25	90	25	-		
45L075F	7	1610	42	136,44	135,67	118	142	25	90	25	-		
47L075F	7	1610	42	142,50	141,74	126	149	25	90	25	-		
48L075F	7	1610	42	145,53	144,77	126	151	25	90	25	-		
49L075	10	1610	42	148,56	147,80	132	-	25	90	25	-		
50L075	10	1610	42	151,60	150,83	132	-	25	90	25	-		
52L075	10	1610	42	157,66	156,90	138	-	25	90	25	-		
56L075	10	1610	42	169,79	169,02	152	-	25	90	25	-		
57L075	10	1610	42	172,82	172,06	152	-	25	90	25	-		
60L075	10	1610	42	181,91	181,15	162	-	25	90	25	-		
65L075	10	1610	42	197,07	196,31	178	-	25	90	25	-		
66L075	10	1610	42	200,11	199,34	178	-	25	90	25	-		
72L075	14	1610	42	218,30	217,54	199	-	25	90	25	-		
84L075	13	2012	50	254,68	253,92	235	-	25	110	32	3,5		
90L075	13	2012	50	272,87	272,11	253	-	25	110	32	3,5		
96L075	13	2012	50	291,06	290,30	270	-	25	110	32	3,5		
120L075	13	2012	50	363,83	363,07	344	-	25	110	32	3,5		

L - SECTION 100

Part Number	Type	Bushing		R Ø	S Ø	U Ø	e Ø	W	H Ø	Y	Z	Flange	Material
		Type	Max Bore										
18L100F	4	1108	28	54,57	53,81	38	62	32	-	22	10	With Flanges	Cast Iron
19L100F	4	1108	28	57,61	56,84	38	62	32	-	22	10		
20L100F	4	1108	28	60,64	59,88	46	67	32	-	22	10		
21L100F	4	1108	28	63,67	62,91	46	67	32	-	22	10		
22L100F	4	1108	28	66,70	65,94	46	73	32	-	22	10		
23L100F	4	1108	28	69,73	68,97	46	73	32	-	22	10		
24L100F	4	1108	28	72,77	72,01	53	80	32	-	22	10		
25L100F	4	1108	28	75,80	75,04	53	80	32	-	22	10		
26L100F	4	1108	28	78,83	78,07	60	88	32	-	22	10		
27L100F	4	1108	28	81,86	81,10	60	88	32	-	22	10		
28L100F	4	1108	28	84,89	84,13	65	94	32	-	22	10		
29L100F	4	1210	32	87,93	87,16	68	94	32	-	25	7		
30L100F	4	1210	32	90,96	90,20	68	98	32	-	25	7		
32L100F	4	1210	32	97,02	96,26	76	100	32	-	25	7		
33L100F	4	1610	42	100,05	99,29	83	108	32	-	25	7		
34L100F	4	1610	42	103,08	103,32	85	108	32	-	25	7		
35L100F	4	1610	42	106,12	105,35	85	113	32	-	25	7		
36L100F	4	1610	42	109,15	108,39	85	113	32	-	25	7		
40L100F	4	1610	42	121,28	120,52	100	129	32	-	25	7		
41L100F	4	1610	42	124,31	123,55	100	129	32	-	25	7		
42L100F	8	1610	42	127,34	126,58	110	137	32	90	25	7		
44L100F	8	1610	42	133,40	132,64	110	142	32	90	25	7		
45L100F	8	1610	42	136,44	135,67	118	142	32	90	25	7		
47L100F	8	1610	42	142,50	141,74	126	149	32	90	25	7		
48L100F	8	1610	42	145,53	144,77	126	151	32	90	25	7		
49L100	11	1610	42	148,56	147,80	132	-	32	90	25	7		
50L100	11	1610	42	151,60	150,83	132	-	32	90	25	7		
52L100	11	1610	42	157,66	156,90	138	-	32	90	25	7		
56L100	11	1610	42	169,79	169,02	152	-	32	90	25	7		
57L100	11	1610	42	172,82	172,06	152	-	32	90	25	7		
60L100	12	1610	42	181,91	181,15	162	-	32	90	25	3.5		
65L100	12	1610	42	197,07	196,31	178	-	32	90	25	3.5		
66L100	12	1610	42	200,11	199,34	178	-	32	90	25	3.5		
72L100	10	2012	50	218,30	217,54	199	-	32	110	32	-		
84L100	14	2012	50	254,68	253,92	235	-	32	110	32	-		
90L100	14	2012	50	272,87	272,11	253	-	32	110	32	-		
96L100	14	2012	50	291,06	290,30	270	-	32	110	32	-		
120L100	14	2012	50	363,83	363,07	344	-	32	110	32	-		

H - SECTION 100

Part Number	Type	Bushing		R Ø	S Ø	U Ø	e Ø	W	H Ø	Y	Z	Flange	Material
		Type	Max Bore										
14H100F	4	1108	28	56,60	55,23	37	62	31	-	22	9	With Flanges	Cast Iron
15H100F	4	1108	28	60,64	59,27	37	67	31	-	22	9		
16H100F	4	1108	28	64,68	63,31	46	67	31	-	22	9		

H SECTION 100 continued

Part Number	Type	Bushing		R Ø	S Ø	U Ø	e Ø	W	H Ø	Y	Z	Flange	Material
		Type	Max Bore										
17H100F	4	1210	32	68.72	67.35	46	77	31	-	25	6	With Flanges	Cast Iron
18H100F	4	1210	32	72.77	71.40	56	80	31	-	25	6		
19H100F	4	1210	32	76.81	75.44	56	84	31	-	25	6		
20H100F	4	1210	32	80.85	79.48	56	88	31	-	25	6		
21H100F	4	1210	32	84.89	83.52	62	94	32	-	25	7		
22H100F	4	1210	32	88.94	87.57	62	94	32	-	25	7		
23H100F	4	1610	42	92.98	91.61	71	98	32	-	25	7		
24H100F	4	1610	42	97.02	95.65	71	104	32	-	25	7		
25H100F	4	1610	42	101.06	99.69	78	104	32	-	25	7		
26H100F	4	1610	42	105.11	103.74	78	108	32	-	25	7		
27H100F	4	1610	42	109.15	107.78	86	113	32	-	25	7		
28H100F	4	1610	42	113.19	111.92	86	118	32	-	25	7		
29H100F	4	1610	42	117.23	115.86	95	121	32	-	25	7		
30H100F	4	1610	42	121.28	119.91	95	129	32	-	25	7		
32H100F	8	1610	42	129.36	127.99	110	137	32	82	25	7		
33H100F	8	1610	42	133.40	132.03	112	137	32	82	25	7		
34H100F	8	1610	42	137.45	136.08	112	142	32	82	25	7		
35H100F	8	1610	42	141.49	140.12	120	145	32	82	25	7		
36H100F	8	1610	42	145.53	144.16	120	151	32	82	25	7		
38H100F	8	1610	42	153.62	152.25	136	158	32	82	25	7		
40H100F	8	1610	42	161.70	160.33	136	168	32	82	25	7		
44H100F	7	2012	50	177.87	176.50	162	191	32	110	32	-		
45H100F	7	2012	50	181.91	180.54	162	189	32	110	32	-		
48H100F	7	2012	50	194.04	192.67	168	199	32	110	32	-		
49H100	12	2012	50	198.08	196.71	172	-	34	110	32	1		
50H100	12	2012	50	202.13	200.76	172	-	34	110	32	1		
52H100	12	2012	50	210.21	208.84	185	-	34	110	32	1		
60H100	12	2012	50	242.55	241.18	217	-	34	110	32	1		
70H100	15	2012	50	282.98	281.61	264	-	34	110	32	1		
72H100	15	2012	50	291.06	289.69	264	-	34	110	32	1		
82H100	15	2012	50	331.49	330.12	312	-	34	110	32	1		
84H100	15	2012	50	339.57	338.20	312	-	34	110	32	1		
94H100	13	2517	65	380.00	378.63	357	-	34	120	45	5.5		
96H100	13	2517	65	388.08	386.71	357	-	34	120	45	5.5		
106H100	13	2517	65	428.51	427.14	402	-	34	120	45	5.5		
116H100	13	2517	65	468.93	467.56	442	-	34	120	45	5.5		
118H100	13	2517	65	477.02	475.65	457	-	34	120	45	5.5		
120H100	13	2517	65	485.10	483.73	457	-	34	120	45	5.5		

H SECTION 150

Part Number	Type	Bushing		R Ø	S Ø	U Ø	e Ø	W	H Ø	Y	Z	Flange	Material
		Type	Max Bore										
14H150F	4	1108	28	56.60	55.23	37	62	45	-	22	23	With Flanges	Cast Iron
15H150F	4	1108	28	60.64	59.27	37	67	45	-	22	23		
16H150F	4	1108	28	64.68	63.31	46	67	45	-	22	23		

H SECTION 150 continued

Part Number	Type	Bushing		R Ø	S Ø	U Ø	e Ø	W	H Ø	Y	Z	Flange	Material
		Type	Max Bore										
17H150F	4	1210	32	68.72	67.35	46	77	45	-	25	20	With Flanges	Cast Iron
18H150F	4	1210	32	72.77	71.40	56	80	45	-	25	20		
19H150F	4	1210	32	76.81	75.44	56	84	45	-	25	20		
20H150F	4	1210	32	80.85	79.48	56	88	45	-	25	20		
21H150F	4	1210	32	84.89	83.52	62	94	45	-	25	20		
22H150F	4	1210	32	88.94	87.57	62	94	45	-	25	20		
23H150F	4	1610	42	92.98	91.61	71	98	45	-	25	20		
24H150F	4	1610	42	97.02	95.65	71	104	45	-	25	20		
25H150F	4	1610	42	101.06	99.69	78	104	45	-	25	20		
26H150F	4	1610	42	105.11	103.74	78	108	45	-	25	20		
27H150F	4	1610	42	109.15	107.78	86	113	45	-	25	20		
28H150F	4	1610	42	113.19	111.92	86	118	45	-	25	20		
29H150F	4	1610	42	117.23	115.86	95	121	45	-	25	20		
30H150F	4	1610	42	121.28	119.91	95	129	45	-	25	20		
32H150F	8	1610	42	129.36	127.99	110	137	45	82	25	20		
33H150F	8	1610	42	133.40	132.03	112	137	45	82	25	20		
34H150F	8	1610	42	137.45	136.08	112	142	45	82	25	20		
35H150F	8	1610	42	141.49	140.12	120	145	45	82	25	20		
36H150F	8	1610	42	145.53	144.16	120	151	45	82	25	20		
38H150F	8	1610	42	153.62	152.25	136	158	45	82	25	20		
40H150F	8	1610	42	161.70	160.33	136	168	45	82	25	20		
44H150F	8	2012	50	177.87	176.50	162	191	45	110	32	13		
45H150F	8	2012	50	181.91	180.54	162	189	45	110	32	13		
48H150F	8	2012	50	194.04	192.67	168	199	45	110	32	3		
49H150	2	2012	50	198.08	196.71	172	-	46	110	32	7		
50H150	12	2012	50	202.13	200.76	172	-	46	110	32	7		
52H150	12	2012	50	210.21	208.84	185	-	46	110	32	7		
60H150	15	2012	50	242.55	241.18	217	-	46	110	32	7		
70H150	15	2012	50	282.98	281.61	264	-	46	110	32	7		
72H150	15	2012	50	291.06	289.69	264	-	46	110	32	7		
82H150	15	2012	50	331.49	330.12	312	-	46	110	32	7		
84H150	15	2012	50	339.57	338.20	312	-	46	110	32	7		
94H150	15	2517	65	380.00	378.63	357	-	46	120	45	0.5		
96H150	15	2517	65	388.08	386.71	357	-	46	120	45	0.5		
106H150	15	2517	65	428.51	427.14	402	-	46	120	45	0.5		
116H150	15	2517	65	468.93	467.56	442	-	46	120	45	0.5		
118H150	15	2517	65	477.02	475.65	457	-	46	120	45	0.5		
120H150	15	2517	65	485.10	483.73	457	-	46	120	45	0.5		
												Without Flanges	Cast Iron

H SECTION 200

Part Number	Type	Bushing		R Ø	S Ø	U Ø	e Ø	W	H Ø	Y	Z	Flange	Material
		Type	Max Bore										
16H200F	4	1108	28	64.68	63.31	46	67	58	-	22	36	With Flanges	Cast Iron
17H200F	4	1210	32	68.72	67.35	52	77	58	-	25	33		
18H200F	4	1210	32	72.77	71.40	52	80	58	-	25	33		

H SECTION 200 continued

Part Number	Type	Bushing		R Ø	S Ø	U Ø	e Ø	W	H Ø	Y	Z	Flange	Material
		Type	Max Bore										
19H200F	4	1610	42	76,81	75,44	56	84	58	-	22	33	With Flanges	Cast Iron
20H200F	4	1610	42	80,85	79,48	56	88	58	-	25	33		
21H200F	4	1610	42	84,89	83,52	62	94	58	-	25	33		
22H200F	4	1610	42	88,94	87,57	62	94	58	-	25	33		
23H200F	4	1610	42	92,98	91,61	71	98	58	-	25	33		
24H200F	4	1610	42	97,02	95,65	71	104	58	-	25	33		
25H200F	4	1610	42	101,06	99,69	78	104	58	-	25	33		
26H200F	4	1610	42	105,11	103,74	78	108	58	-	25	33		
27H200F	4	1610	42	109,15	107,78	86	113	58	-	25	33		
28H200F	4	1610	42	113,19	111,92	86	118	58	-	25	33		
29H200F	4	1610	42	117,23	115,86	95	121	58	-	25	33		
30H200F	4	1610	42	121,28	119,91	95	129	58	-	25	33		
32H200F	4	2012	50	129,36	127,99	110	137	58	-	32	26		
33H200F	4	2012	50	133,40	132,03	112	137	58	-	32	26		
34H200F	4	2012	50	137,45	136,08	112	142	58	-	32	26		
35H200F	8	2012	50	141,49	140,12	120	145	58	102	32	26		
36H200F	8	2012	50	145,53	144,16	120	151	58	102	32	26		
38H200F	8	2012	50	153,62	152,25	136	158	58	110	32	26		
40H200F	8	2012	50	161,70	160,33	136	168	58	110	32	26		
44H200F	8	2012	50	177,87	176,50	162	191	58	110	32	26		
45H200F	8	2012	50	181,91	180,54	162	189	58	110	32	26		
48H200F	8	2517	65	194,04	192,67	168	199	58	120	45	13		
49H200	12	2517	65	198,08	196,71	172	-	60	120	45	7.5		
50H200	12	2517	65	202,13	200,76	172	-	60	120	45	7.5		
52H200	12	2517	65	210,21	208,84	185	-	60	120	45	7.5		
60H200	15	2517	65	242,55	241,18	217	-	60	120	45	7.5		
70H200	15	2517	65	282,98	281,61	264	-	60	120	45	7.5		
72H200	15	2517	65	291,06	289,69	264	-	60	120	45	7.5		
82H200	15	2517	65	331,49	330,12	312	-	60	120	45	7.5		
84H200	15	2517	65	339,57	338,20	312	-	60	120	45	7.5		
94H200	15	2517	65	380,00	378,63	357	-	60	120	45	7.5		
96H200	15	2517	65	388,08	386,71	357	-	60	120	45	7.5		
106H200	15	2517	65	428,51	427,14	402	-	60	120	45	7.5		
116H200	15	2517	65	468,93	467,56	442	-	60	120	45	7.5		
118H200	15	2517	65	477,02	475,65	457	-	60	120	45	7.5		
120H200	15	2517	65	485,10	483,73	457	-	60	120	45	7.5		

H SECTION 300

Part Number	Type	Bushing		R Ø	S Ø	U Ø	e Ø	W	H Ø	Y	Z	Flange	Material
		Type	Max Bore										
19H300F	3	1215	32	76,81	75,44	56	84	84	-	38	23	With Flanges	Cast Iron
20H300F	3	1615	42	80,85	79,48	56	88	84	-	38	23		
21H300F	3	1615	42	84,89	83,52	62	94	84	-	38	23		
22H300F	3	1615	42	88,94	87,57	62	94	84	-	38	23		
23H300F	3	1615	42	92,98	91,61	71	98	84	-	38	23		

H SECTION 300 continued

Part Number	Type	Bushing Type	Bushing Max Bore	R Ø	S Ø	U Ø	e Ø	W	H Ø	Y	Z	Flange	Material	
24H300F	3	1615	42	97,02	95,65	71	104	84	-	38	23	With Flanges	Cast Iron	
25H300F	3	1615	42	101,06	99,69	78	104	84	-	38	23			
26H300F	3	1615	42	105,11	103,74	78	108	84	-	38	23			
27H300F	3	2012	50	109,15	107,78	86	113	84	-	32	26			
28H300F	3	2012	50	113,19	111,92	86	118	84	-	32	26			
29H300F	3	2012	50	117,23	115,86	95	121	84	-	32	26			
30H300F	3	2012	50	121,28	119,91	95	129	84	-	32	26			
32H300F	3	2517	65	129,36	127,99	110	137	84	-	45	19,5			
33H300F	3	2517	65	133,40	132,03	112	137	84	-	45	19,5			
34H300F	3	2517	65	137,45	136,08	112	142	84	-	45	19,5			
35H300F	3	2517	65	141,49	140,12	120	145	84	-	45	19,5			
36H300F	3	2517	65	145,53	144,16	120	151	84	-	45	19,5			
38H300F	5	2517	65	153,62	152,25	136	158	84	120	45	19,5			
40H300F	5	2517	65	161,70	160,33	136	168	84	120	45	19,5			
44H300F	5	2517	65	177,87	176,50	162	191	86	120	45	20,5			
45H300F	5	2517	65	181,91	180,54	162	189	86	120	45	20,5			
48H300F	5	2517	65	194,04	192,67	168	199	86	120	45	20,5			
49H300	12	2517	65	198,08	196,71	172	-	86	120	45	20,5			
50H300	12	2517	65	202,13	200,76	172	-	86	120	45	20,5			
52H300	12	2517	65	210,21	208,84	185	-	86	120	45	20,5			
60H300	15	2517	65	242,55	241,18	217	-	86	120	45	20,5			
70H300	15	2517	65	282,98	281,61	264	-	86	120	45	20,5			
72H300	15	2517	65	291,06	289,69	264	-	86	120	45	20,5			
82H300	15	2517	65	331,49	330,12	312	-	86	120	45	20,5			
84H300	15	2517	65	339,57	338,20	312	-	86	120	45	20,5			
94H300	15	3030	75	380,00	378,63	357	-	86	146	76	5			
96H300	15	3030	75	388,08	386,71	357	-	86	146	76	5			
106H30	15	3030	75	428,51	427,14	402	-	86	146	76	5			
116H300	15	3030	75	468,93	467,56	442	-	86	146	76	5			
118H300	15	3030	75	477,02	475,65	457	-	86	146	76	5			
120H300	15	3030	75	485,10	483,73	457	-	86	146	76	5			
												Without Flanges		

XH SECTION 200

Part Number	Type	Bushing Type	Bushing Max Bore	R Ø	S Ø	U Ø	e Ø	W	H Ø	Y	Z	Flange	Material
18XH200F	4	2517	65	127,34	124,55	95	134	64	-	45	19	With Flanges	Cast Iron
19XH200F	4	2517	65	134,41	131,62	101	142	64	-	45	19		
20XH200F	4	2517	65	141,49	138,70	101	150	64	-	45	19		
21XH200F	4	2517	65	148,56	145,77	115	158	64	-	45	19		
22XH200F	4	2517	65	155,64	152,85	115	166	64	-	45	19		
24XH200F	4	2517	65	169,79	167,00	129	177	64	-	45	19		
25XH200F	4	2517	65	176,86	174,07	143	186	64	-	45	19		
26XH200F	4	2517	65	183,94	171,15	143	191	64	-	45	19		
27XH200F	5	2517	65	191,01	188,22	157	200	64	120	45	9,5		
28XH200F	5	2517	65	198,08	195,29	157	199	64	120	45	9,5		

XH SECTION 200 continued

Part Number	Type	Type	Bushing Max Bore	R Ø	S Ø	U Ø	e Ø	W	H Ø	Y	Z	Flange	Material
30XH200F	5	2517	65	212.23	209.44	180	216	64	120	45	9.5	With Flanges	Cast Iron
32XH200F	5	2517	65	226.38	223.59	195	232	64	120	45	9.5		
34XH200F	5	2517	65	240.53	237.74	208	261	64	120	45	9.5		
38XH200F	5	2517	65	268.83	266.03	234	274	64	120	45	9.5		
40XH200F	5	3020	75	282.98	280.19	242	288	64	146	51	6.5		
46XH200	15	3020	75	325.42	322.63	285	-	64	146	51	6.5	Without Flanges	
48XH200	15	3020	75	339.57	336.78	299	-	64	146	51	6.5		
58XH200	15	3020	75	410.32	407.52	370	-	64	146	51	6.5		
60XH200	13	3535	90	424.47	421.68	384	-	64	178	89	12.5		
70XH200	13	3535	90	495.21	492.42	455	-	64	178	89	12.5		
72XH200	13	3535	90	509.36	506.57	469	-	64	178	89	12.5		
78XH200	13	3535	90	551.80	549.01	511	-	64	178	89	12.5		
80XH200	13	3535	90	565.95	563.16	525	-	64	178	89	12.5		
82XH200	13	3535	90	580.10	577.31	539	-	64	178	89	12.5		
84XH200	13	3535	90	594.25	591.46	554	-	64	178	89	12.5		

XH SECTION 300

Part Number	Type	Type	Bushing Max Bore	R Ø	S Ø	U Ø	e Ø	W	H Ø	Y	Z	Flange	Material
18XH300F	4	2517	65	127.34	124.55	95	134	90	-	45	45	With Flanges	Cast Iron
19XH300F	4	2517	65	134.41	131.62	95	142	90	-	45	45		
20XH300F	4	2517	65	141.49	138.70	101	150	90	-	45	45		
21XH300F	4	2517	65	148.56	145.77	115	158	90	-	45	45		
22XH300F	4	2517	65	155.64	152.85	115	166	90	-	45	45		
24XH300F	4	2517	65	169.79	167.00	129	177	90	-	45	45		
25XH300F	4	2517	65	176.86	174.07	143	186	90	-	45	45		
26XH300F	4	2517	65	183.94	171.15	143	191	90	-	45	45		
27XH300F	8	3020	75	191.01	188.22	157	200	90	146	51	39		
28XH300F	8	3020	75	198.08	195.29	157	199	90	146	51	39		
30XH300F	8	3020	75	212.23	209.44	172	216	90	146	51	39		
32XH300F	8	3020	75	226.38	223.59	186	232	90	146	51	39		
34XH300F	8	3020	75	240.53	237.74	200	261	90	146	51	39		
38XH300F	8	3020	75	268.83	266.03	228	274	90	146	51	39		
40XH300F	5	3020	75	282.98	280.19	245	288	90	146	51	19.5		
46XH300	12	3020	75	325.42	322.63	285	-	90	146	51	19.5	Without Flanges	
48XH300	12	3020	75	339.57	336.78	299	-	90	146	51	19.5		
58XH300	12	3535	90	410.32	407.52	370	-	90	178	89	0.5		
60XH300	12	3535	90	424.47	421.68	384	-	90	178	89	0.5		
70XH300	15	3535	90	495.21	492.42	455	-	90	178	89	0.5		
72XH300	15	3535	90	509.36	506.57	469	-	90	178	89	0.5		
78XH300	15	3535	90	551.80	549.01	511	-	90	178	89	0.5		
80XH300	15	3535	90	565.95	563.16	525	-	90	178	89	0.5		
82XH300	15	3535	90	580.10	577.31	539	-	90	178	89	0.5		
84XH300	15	4040	100	594.25	591.46	554	-	90	215	102	6		



TIMING PULLEYS



TIMING PULLEYS PILOT BORE (IMPERIAL)

Description

Dunlop imperial timing belt pulleys are manufactured from either C45 steel with black oxide surface treatment, cast iron EN-GJL-200 and black phosphate or aluminium 6082. Pulley flanges are produced from S235JR steel.

Imperial timing belt pulleys are available to suit all pitch sizes, XL, L, H & XH and are available from stock in both taper and pilot bore options.

Part numbers are identified by a 2 or 3 digit number (e.g. 44) which represents the number of teeth, one or two letters (e.g. XL) the pulleys pitch and a 3 digit number (e.g. 037) the width of the appropriate corresponding timing belt, for example 44XL037.

XL - SECTION 037

Part Number	Type	Teeth	R Ø	S Ø	U Ø	e Ø	W	H Ø	Y	Z	d Ø	Flange	Material	
10XL037F	1	10	16.17	15.66	-	20	14.3	12	25	10.7	-	With Flanges	Aluminium	
11XL037F	1	11	17.79	17.28	-	20	14.3	12	25	10.7	-			
12XL037F	1	12	19.40	18.89	-	24	14.3	12	25	10.7	-			
13XL037F	1	13	21.02	20.51	-	24	14.3	12	25	10.7	-			
14XL037F	1	14	22.64	22.16	-	27	14.3	16	25	10.7	-			
15XL037F	1	15	24.25	23.74	-	27	14.3	17	25	10.7	-			
16XL037F	1	16	25.87	25.36	-	30	14.3	20	25	10.7	-			
17XL037F	1	17	27.49	26.98	-	30	14.3	20	25	10.7	-			
18XL037F	1	18	29.11	28.60	-	33	14.3	20	25	10.7	-			
19XL037F	1	19	30.72	30.21	-	36	14.3	25	25	10.7	-			
20XL037F	1	20	32.34	31.83	-	36	14.3	25	25	10.7	-			
21XL037F	1	21	33.96	33.45	-	40	14.3	26	25	10.7	-			
22XL037F	1	22	35.57	35.06	-	40	14.3	27	25	10.7	-			
24XL037F	1	24	38.81	38.30	-	46	14.3	30	25	10.7	-			
26XL037F	1	26	42.03	41.53	-	46	14.3	30	25	10.7	-			
27XL037F	1	27	43.66	43.15	-	50	14.3	32	25	10.7	-			
28XL037F	1	28	45.28	44.77	-	50	14.3	34	25	10.7	-			
29XL037F	1	29	46.89	46.38	-	50	14.3	34	25	10.7	-			
30XL037F	1	30	49.51	48.00	-	55	14.3	38	25	10.7	-			
32XL037F	1	32	51.74	51.23	-	-	14.3	45	25	10.7	-			
34XL037	1	34	54.98	54.47	-	-	14.3	45	25	10.7	-			
35XL037	1	35	56.60	56.09	-	-	14.3	45	25	10.7	-			
36XL037	1	36	58.21	57.70	-	-	14.3	52	25	10.7	-			
38XL037	1	38	61.45	60.94	-	-	14.3	52	25	10.7	-			
39XL037	1	39	63.06	62.55	-	-	14.3	52	25	10.7	-			
40XL037	1	40	64.68	64.17	-	-	14.3	52	25	10.7	-			
41XL037	1	41	66.30	65.79	-	-	14.3	52	25	10.7	-			
42XL037	1	42	67.91	67.40	-	-	14.3	52	25	10.7	-			
43XL037	1	43	69.53	69.02	-	-	14.3	52	25	10.7	-			
44XL037	1	44	71.15	70.64	-	-	14.3	52	25	10.7	-			
45XL037	1	45	72.77	72.26	-	-	14.3	52	25	10.7	-			
46XL037	1	46	74.38	73.87	-	-	14.3	52	25	10.7	-			
47XL037	1	47	76.00	75.49	-	-	14.3	52	25	10.7	-			
												Without Flanges		

XL - SECTION 037 continued

Part Number	Type	Teeth	R Ø	S Ø	U Ø	e Ø	W	H Ø	Y	Z	d Ø	Flange	Material
48XL037	1	48	77.62	77.11	-	-	14.3	52	25	10.7	-	Without Flanges	Aluminium
49XL037	2	49	76.23	78.72	54	-	14.3	52	25	10.7	-		
52XL037	2	52	84.08	83.57	58	-	14.3	52	25	10.7	-		
56XL037	2	56	90.55	90.04	65	-	14.3	52	25	10.7	-		
57XL037	2	57	92.17	91.66	67	-	14.3	52	25	10.7	-		
58XL037	2	58	93.79	93.28	69	-	14.3	52	25	10.7	-		
59XL037	2	59	95.40	94.89	70	-	14.3	52	25	10.7	-		
60XL037	2	60	97.02	96.51	71	-	14.3	52	25	10.7	-		
68XL037	2	68	109.96	109.45	84	-	14.3	52	25	10.7	-		
69XL037	2	69	111.57	111.06	86	-	14.3	52	25	10.7	-		
70XL037	2	70	113.19	112.68	87	-	14.3	52	25	10.7	-		
71XL037	2	71	114.81	114.30	89	-	14.3	52	25	10.7	-		
72XL037	2	72	116.43	115.92	91	-	14.3	52	25	10.7	-		

L - SECTION 050

Part Number	Type	Teeth	R Ø	S Ø	U Ø	e Ø	W	H Ø	Y	Z	d Ø	Flange	Material
10L050F	1	10	30.32	29.56	-	33	19	20	30	11	-	With Flanges	Steel
11L050F	1	11	33.35	32.59	-	36	19	20	30	11	-		
12L050F	1	12	36.38	35.62	-	40	19	27	30	11	-		
13L050F	1	13	39.41	38.65	-	47	19	27	30	11	-		
14L050F	1	14	42.45	41.69	-	46	19	29	30	11	-		
15L050F	1	15	45.48	44.72	-	50	19	32	30	11	-		
16L050F	1	16	48.51	47.75	-	55	19	37	30	11	-		
17L050F	1	17	51.54	50.78	-	55	19	37	30	11	-		
18L050F	1	18	54.57	53.81	-	62	19	41	30	11	-		
19L050F	1	19	57.61	56.84	-	62	19	41	30	11	-		
20L050F	1	20	60.64	59.88	-	67	19	47	30	11	-		
21L050F	1	21	63.67	62.91	-	67	19	47	30	11	-		
22L050F	1	22	66.70	65.94	-	73	19	50	30	11	-		
23L050F	1	24	69.73	68.97	-	73	19	50	30	11	-		
24L050F	1	26	72.77	72.01	-	80	19	57	32	13	-		
25L050F	1	25	75.80	75.04	-	80	19	58	32	13	-		
26L050F	1	26	78.83	78.07	-	88	19	64	32	13	-		
27L050F	1	27	81.86	81.10	-	88	19	64	32	13	-		
28L050F	1	28	84.89	84.13	-	94	19	70	32	13	-		
29L050F	1	29	87.93	87.16	-	94	19	70	2	13	-		
30L050F	1	30	90.96	90.20	-	98	19	72	34	15	-		
32L050F	1	32	97.02	96.26	-	100	19	75	34	15	-		
33L050F	1	33	100.05	99.29	-	108	19	80	34	15	-		
34L050F	1	34	103.08	102.32	-	108	19	85	34	15	-		
35L050F	1	35	106.12	105.35	-	113	19	88	34	15	-		
36L050F	1	36	109.15	108.39	-	113	19	88	34	15	-		

L - SECTION 050 continued

Part Number	Type	Teeth	R Ø	S Ø	U Ø	e Ø	W	H Ø	Y	Z	d Ø	Flange	Material
40L050F	2	40	121.28	120,52	100	129	19	68	34	15	-	Without Flanges	Cast Iron
41L050F	2	41	124.31	123.55	103	129	19	68	34	15	-		
42L050	2	42	127.34	126.58	106	137	19	68	34	15	-		
44L050	2	44	133.40	132.64	112	142	19	68	34	15	-		
45L050	2	45	136,44	135,67	115	149	19	68	34	15	-		
47L050	2	47	142,50	141,74	121	151	19	68	34	15	-		
48L050	2	48	136,44	135,67	124	-	19	68	34	27	-		
49L050	3	49	142,50	141,74	127	-	19	68	34	27	-		
50L050	3	50	145,53	144,77	130	-	19	68	46	27	-		
52L050	3	52	148,56	147,80	136	-	19	68	46	27	-		
56L050	3	56	151.60	150.83	139	-	19	68	46	27	-		
57L050	3	57	157.66	156.90	152	-	19	68	46	27	-		
60L050	3	60	169.02	181.15	160	-	19	68	46	27	-		
65L050	3	65	172.06	196.31	176	-	19	68	46	27	-		
66L050	3	66	200.11	199.34	179	-	19	68	46	27	-		
72L050	3	72	218.30	217.54	197	-	19	75	46	27	-		
84L050	3	84	254.68	253.92	233	-	19	75	46	27	-		
90L050	4	90	272.87	272.11	252	-	19	75	46	27	19		
96L050	4	96	291.06	290.30	270	-	19	80	46	27	19		
120L050	5	120	363.83	363.07	342	-	19	85	46	27	19		

L - SECTION 075

Part Number	Type	Teeth	R Ø	S Ø	U Ø	e Ø	W	H Ø	Y	Z	d Ø	Flange	Material
10L075F	1	10	30,32	29,56	-	33	25.4	20	38	12.6	-	With Flanges	Steel
11L075F	1	11	33,35	32,59	-	36	25.4	20	38	12.6	-		
12L075F	1	12	36,38	35,62	-	40	25.4	27	38	12.6	-		
13L075F	1	13	39,41	38,65	-	47	25.4	27	38	12.6	-		
14L075F	1	14	42,45	41,69	-	46	25.4	29	38	12.6	-		
15L075F	1	15	45,48	44,72	-	50	25.4	32	38	12.6	-		
16L075F	1	16	48,51	47,75	-	55	25.4	37	38	12.6	-		
17L075F	1	17	51,54	50,78	-	55	25.4	37	38	12.6	-		
18L075F	1	18	54,57	53,81	-	62	25.4	41	38	12.6	-		
19L075F	1	19	57,61	56,84	-	62	25.4	41	38	12.6	-		
20L075F	1	20	60,64	59,88	-	67	25.4	47	38	12.6	-		
21L075F	1	21	63,67	62,91	-	67	25.4	47	38	12.6	-		
22L075F	1	22	66,70	65,94	-	73	25.4	50	38	12.6	-		
23L075F	1	24	69,73	68,97	-	73	25.4	50	30	12.6	-		
24L075F	1	26	72,77	72,01	-	80	25.4	57	38	12.6	-		
25L075F	1	25	75,80	75,04	-	80	25.4	58	38	12.6	-		
26L075F	1	26	78,83	78,07	-	88	25.4	64	38	12.6	-		
27L075F	1	27	81,86	81,10	-	88	25.4	70	38	12.6	-		
28L075F	1	28	84,89	84,13	-	94	25.4	70	38	12.6	-		
29L075F	1	29	87.93	87.16	-	94	25.4	72	38	12.6	-		

L - SECTION 075 continued

Part Number	Type	Teeth	R Ø	S Ø	U Ø	e Ø	W	H Ø	Y	Z	d Ø	Flange	Material	
30L075F	1	30	90.96	90.20	-	98	25.4	72	38	12.6	-	With Flanges	Steel	
32L075F	1	32	97.02	96.26	-	100	25.4	75	38	12.6	-			
33L075F	1	33	100.05	99.29	-	108	25.4	80	38	12.6	-			
34L075F	1	34	103.08	102.32	-	108	25.4	85	38	12.6	-			
35L075F	1	35	106.12	105.35	-	113	25.4	88	38	12.6	-			
36L075F	1	36	109.15	108.39	-	113	25.4	88	38	12.6	-			
40L075F	2	40	121.28	120.52	100	129	25.4	68	38	12.6	-		Without Flanges	Cast Iron
41L075F	2	41	124.31	123.55	103	129	25.4	68	38	12.6	-			
42L075F	2	42	127.34	126.58	106	137	25.4	68	38	12.6	-			
44L075F	2	44	133.40	132.64	112	142	25.4	68	38	12.6	-			
45L075F	2	45	136.44	135.67	115	142	25.4	68	38	12.6	-			
47L075F	2	47	142.50	141.74	121	149	25.4	68	38	12.6	-			
48L075F	2	48	145.53	144.77	124	151	25.4	68	38	22.6	-			
49L075	3	49	148.56	147.80	127	-	25.4	68	38	22.6	-			
50L075	3	50	151.60	150.83	130	-	25.4	68	48	22.6	-			
52L075	3	52	157.66	156.90	136	-	25.4	68	48	22.6	-			
56L075	3	56	169.79	169.02	139	-	25.4	68	48	22.6	-			
57L075	3	57	172.82	172.06	152	-	25.4	68	48	22.6	-			
60L075	3	60	181.91	181.15	160	-	25.4	68	48	22.6	-			
65L075	3	65	197.07	196.31	176	-	25.4	68	48	22.6	-			
66L075	3	66	200.11	199.34	179	-	25.4	68	48	22.6	-			
72L075	3	72	218,30	217,54	197	-	25.4	68	48	22.6	-			
84L075	3	84	254,68	253,92	233	-	25.4	75	48	22.6	-			
90L075	4	90	272,87	272,11	252	-	25.4	75	48	22.6	19			
96L075	4	96	291.06	290.30	270	-	25.4	80	48	22.6	19			
120L075	5	120	363.83	363.07	342	-	25.4	85	48	22.6	19			

L - SECTION 100

Part Number	Type	Teeth	R Ø	S Ø	U Ø	e Ø	W	H Ø	Y	Z	d Ø	Flange	Material
10L100F	1	10	30.32	29.56	-	33	32	20	46	14	-	With Flanges	Steel
11L100F	1	11	33.35	32.59	-	36	32	20	46	14	-		
12L100F	1	12	36,38	35,62	-	40	32	27	46	14	-		
13L100F	1	13	39,41	38,65	-	47	32	27	46	14	-		
14L100F	1	14	42,45	41,69	-	46	32	29	46	14	-		
15L100F	1	15	45,48	44,72	-	50	32	32	46	14	-		
16L100F	1	16	48,51	47,75	-	55	32	37	46	14	-		
17L100F	1	17	51,54	50,78	-	55	32	37	46	14	-		
18L100F	1	18	54,57	53,81	-	62	32	41	46	14	-		
19L100F	1	19	57,61	56,84	-	62	32	41	46	14	-		
20L100F	1	20	60,64	59,88	-	67	32	47	46	14	-		
21L100F	1	21	63,67	62,91	-	67	32	47	46	14	-		
22L100F	1	22	66,70	65,94	-	73	32	50	46	14	-		
23L100F	1	24	69,73	68,97	-	73	32	50	46	14	-		

L - SECTION 100 continued

Part Number	Type	Teeth	R Ø	S Ø	U Ø	e Ø	W	H Ø	Y	Z	d Ø	Flange	Material
24L100F	1	26	72.77	72.01	-	80	32	57	46	14	-	With Flanges	Steel
25L100F	1	25	75.80	75.04	-	80	32	58	46	14	-		
26L100F	1	26	78.83	78.07	-	88	32	64	46	14	-		
27L100F	1	27	81.86	81.10	-	88	32	64	46	14	-		
28L100F	1	28	84.89	84.13	-	94	32	70	46	14	-		
29L100F	1	29	87.93	87.16	-	94	32	70	46	14	-		
30L100F	1	30	90.96	90.20	-	98	32	72	46	14	-		
32L100F	1	32	97.02	96.26	-	100	32	75	46	14	-		
33L100F	1	33	100.05	99.29	-	108	32	80	46	14	-		
34L100F	1	34	103.08	102.32	-	108	32	85	46	14	-		
35L100F	1	35	106.12	105.35	-	113	32	88	46	14	-		
36L100F	1	36	109.15	108.39	-	113	32	88	46	14	-		
40L100F	2	40	121.28	120.52	100	129	32	68	46	14	-		
41L100F	2	41	124.31	123.55	103	129	32	68	46	14	-		
42L100F	2	42	127.34	126.58	106	137	32	68	46	14	-		
44L100F	2	44	133.40	132.64	112	142	32	68	46	14	-		
45L100F	2	45	136.44	135.67	115	149	32	68	46	14	-		
47L100F	2	47	142.50	141.74	121	151	32	68	46	14	-		
48L100F	2	48	145.53	144.77	124	-	32	68	50	18	-		
49L100	3	49	148.56	147.80	127	-	32	68	50	18	-		
50L100	3	50	151.60	150.83	130	-	32	68	50	18	-		
52L100	3	52	157.66	156.90	136	-	32	68	50	18	-		
56L100	3	56	169.79	169.02	139	-	32	68	50	18	-		
57L100	3	57	172.82	172.06	152	-	32	68	50	18	-		
60L100	3	60	181.91	181.15	160	-	32	68	50	18	-		
65L100	3	65	197.07	196.31	176	-	32	75	54	22	-		
66L100	3	66	200.11	199.34	179	-	32	75	54	22	-		
72L100	3	72	218.30	217.54	197	-	32	75	54	22	-		
84L100	3	84	254.68	253.92	233	-	32	80	54	22	-		
90L100	4	90	272.87	272.11	252	-	32	80	54	22	19		
96L100	4	96	291.06	290.30	270	-	32	80	54	22	19		
120L100	5	120	363.83	363.07	342	-	32	90	54	22	19		
												Without Flanges	Cast Iron

H - SECTION 075

Part Number	Type	Teeth	R Ø	S Ø	U Ø	e Ø	W	H Ø	Y	Z	d Ø	Flange	Material
14H075F	1	14	56.60	55.23	-	62	25.4	40	38	12.6	-	With Flanges	Steel
15H075F	1	15	60.64	59.27	-	67	25.4	45	38	12.6	-		
16H075F	1	16	64.68	63.31	-	67	25.4	47	38	12.6	-		
17H075F	1	17	68.72	67.35	-	77	25.4	49	38	12.6	-		
18H075F	1	18	72.77	71.40	-	80	25.4	57	38	12.6	-		
19H075F	1	19	76.81	75.44	-	84	25.4	60	38	12.6	-		
20H075F	1	20	80.85	79.48	-	88	25.4	64	38	12.6	-		
21H075F	1	21	84.89	83.52	-	94	25.4	64	38	12.6	-		

H - SECTION 075 continued

Part Number	Type	Teeth	R Ø	S Ø	U Ø	e Ø	W	H Ø	Y	Z	d Ø	Flange	Material
22H075F	1	22	88.94	87.57	-	94	25.4	70	38	12.6	-	With Flanges	Steel
23H075F	1	23	92.98	91.61	-	98	25.4	72	38	12.6	-		
24H075F	1	24	97.02	95.65	-	104	25.4	80	38	12.6	-		
25H075F	1	25	101.06	99,69	-	104	25.4	80	38	12.6	-		
26H075F	1	26	105.11	103,74	-	108	25.4	85	38	12.6	-		
27H075F	1	27	109.15	107,78	-	113	25.4	88	38	12.6	-		
28H075F	1	28	113.19	111,92	-	118	25.4	94	38	12.6	-		
29H075F	1	29	117.23	115,86	-	121	25.4	96	38	12.6	-		
30H075F	1	30	121.28	119.91	-	129	25.4	104	38	12.6	-		
32H075F	1	32	129.36	127.99	-	137	25.4	112	38	12.6	-		
33H075F	1	33	133.40	132.03	-	137	25.4	112	38	12.6	-		
34H075F	1	34	137.45	136.08	-	142	25.4	118	38	12.6	-		
35H075F	2	35	141.49	140.12	118	145	25.4	68	48	22.6	-		
36H075F	2	36	145.53	144.16	118	151	25.4	68	48	22.6	-		
38H075F	2	38	153.62	152.25	126	158	25.4	68	48	22.6	-		
40H075F	2	40	161.70	160.33	134	168	25.4	68	48	22.6	-		
44H075F	2	44	177.87	176.50	150	191	25.4	68	48	22.6	-		
45H075F	2	45	181,91	180,54	154	189	25.4	68	48	22.6	-		
48H075F	2	48	194,04	192,67	166	199	25.4	68	48	22.6	-		
49H075	3	49	198,08	196,71	170	-	25.4	68	48	22.6	-		Without Flanges
50H075	3	50	202,13	200,76	174	-	25.4	68	48	22.6	-		
52H075	3	52	210,21	208,84	182	-	25.4	75	48	22.6	-		
60H075	3	60	242,55	241,18	215	-	25.4	75	48	22.6	-		
70H075	3	70	282,98	281,61	255	-	25.4	75	48	22.6	-		
72H075	3	72	291,06	289,69	263	-	25.4	80	48	22.6	-		
82H075	6	82	331,49	330,12	304	-	25.4	80	55	29.6	-		
84H075	5	84	339,57	338,20	312	-	25.4	90	55	29.6	19		
94H075	5	94	380,00	378,63	352	-	25.4	90	55	29.6	19		
96H075	5	96	388,08	386,71	360	-	25.4	100	55	29.6	19		
106H075	5	106	428,51	427,14	401	-	25.4	100	55	29.6	19		
116H075	5	116	468,93	467,56	441	-	25.4	100	55	29.6	19		
118H075	5	118	477,02	475,65	449	-	25.4	100	55	29.6	19		
120H075	5	120	485,10	483,73	458	-	25.4	100	55	29.6	19		
150H075	5	150	606,38	605,01	579	-	25.4	100	55	29.6	19		
152H075	5	152	614,46	613,09	587	-	25.4	100	55	29.6	19		
154H075	5	154	622,55	621,17	595	-	25.4	100	55	29.6	19		
156H075	5	156	630,63	629,26	603	-	25.4	120	55	29.6	19		

H - SECTION 100

Part Number	Type	Teeth	R Ø	S Ø	U Ø	e Ø	W	H Ø	Y	Z	d Ø	Flange	Material	
14H100F	1	14	56.60	55,23	-	62	33.3	40	44	10.7	-	With Flanges	Steel	
15H100F	1	15	60.64	59.27	-	67	33.3	45	44	10.7	-			Cast Iron
16H100F	1	16	64.68	63.31	-	67	33.3	47	44	10.7	-			
17H100F	1	17	68.72	67.35	-	77	33.3	49	44	10.7	-			
18H100F	1	18	72.77	71.40	-	80	33.3	57	44	10.7	-			
19H100F	1	19	76.81	75.44	-	84	33.3	60	44	10.7	-			
20H100F	1	20	80.85	79.48	-	88	33.3	64	44	10.7	-			
21H100F	1	21	84.89	83.52	-	94	33.3	64	44	10.7	-			
22H100F	1	22	88.94	87.57	-	94	33.3	70	44	10.7	-			
23H100F	1	23	92.98	91.61	-	98	33.3	72	44	10.7	-			
24H100F	1	24	97.02	95.65	-	104	33.3	80	44	10.7	-			
25H100F	1	25	101.06	99.69	-	104	33.3	80	44	10.7	-			
26H100F	1	26	105.11	103.74	-	108	33.3	85	44	10.7	-			
27H100F	1	27	109.15	107.78	-	113	33.3	88	44	10.7	-			
28H100F	1	28	113.19	111.92	-	118	33.3	94	48	14.7	-			
29H100F	1	29	117.23	115.86	-	121	33.3	96	48	14.7	-			
30H100F	1	30	121.28	119.91	-	129	33.3	104	50	16.7	-			
32H100F	1	32	129.36	127.99	-	137	33.3	112	52	18.7	-			
33H100F	1	33	133.40	132.03	-	137	33.3	112	52	18.7	-			
34H100F	1	34	137.45	136.08	-	142	33.3	118	52	18.7	-			
35H100F	2	35	141.49	140.12	118	145	33.3	75	52	18.7	-			
36H100F	2	36	145.53	144.16	118	151	33.3	75	52	18.7	-			
38H100F	2	38	153.62	152.25	126	158	33.3	75	52	20.7	-			
40H100F	2	40	161.70	160.33	134	168	33.3	75	54	20.7	-			
44H100F	2	44	177.87	176.50	150	191	33.3	75	54	26.7	-			
45H100F	2	45	181.91	180.54	154	189	33.3	75	54	26.7	-			
48H100F	2	48	194,04	192,67	166	199	33.3	75	60	26.7	-			
49H100	3	49	198,08	196,71	170	-	33.3	75	60	26.7	-			
50H100	3	50	202,13	200,76	174	-	33.3	75	60	26.7	-			
52H100	3	52	210,21	208,84	182	-	33.3	75	60	26.7	-			
60H100	3	60	242,55	241,18	215	-	33.3	80	60	26.7	-			
70H100	3	70	282,98	281,61	255	-	33.3	80	60	26.7	-			
72H100	3	72	291,06	289,69	263	-	33.3	80	60	26.7	-			
82H100	6	82	331,49	330,12	304	-	33.3	80	60	26.7	-			
84H100	5	84	339,57	338,20	312	-	33.3	80	60	26.7	19			
94H100	5	94	380,00	378,63	352	-	33.3	90	60	26.7	19			
96H100	5	96	388,08	386,71	360	-	33.3	100	60	26.7	19			
106H100	5	106	428,51	427,14	401	-	33.3	100	60	26.7	19			
116H100	5	116	468,93	467,56	441	-	33.3	100	60	26.7	19			
118H100	5	118	477,02	475,65	449	-	33.3	100	60	26.7	19			
120H100	5	120	485,10	483,73	458	-	33.3	100	60	26.7	19			
150H100	5	150	606,38	605,01	579	-	33.3	100	60	26.7	19			
152H100	5	152	614,46	613,09	587	-	33.3	100	60	26.7	19			
154H100	5	154	622,55	621,17	595	-	33.3	100	60	26.7	19			
156H100	5	156	630,63	629,26	603	-	33,3	120	60	26.7	19			

H - SECTION 150

Part Number	Type	Teeth	R Ø	S Ø	U Ø	e Ø	W	H Ø	Y	Z	d Ø	Flange	Material
14H150F	1	14	56,60	55,23	-	62	46	40	58	12	-	With Flanges	Steel
15H150F	1	15	60,64	59,27	-	67	46	45	58	12	-		
16H150F	1	16	64,68	63,31	-	67	46	47	58	12	-		
17H150F	1	17	68,72	67,35	-	77	46	49	58	12	-		
18H150F	1	18	72,77	71,40	-	80	46	57	58	12	-		
19H150F	1	19	76,81	75,44	-	84	46	60	58	12	-		
20H150F	1	20	80,85	79,48	-	88	46	64	58	12	-		
21H150F	1	21	84,89	83,52	-	94	46	64	58	12	-		
22H150F	1	22	88,94	87,57	-	94	46	70	58	12	-		
23H150F	1	23	92,98	91,61	-	98	46	72	58	12	-		
24H150F	1	24	97,02	95,65	-	104	46	80	58	12	-		
25H150F	1	25	101,06	99,69	-	104	46	80	58	12	-		
26H150F	1	26	105,11	103,74	-	108	46	85	58	12	-		
27H150F	1	27	109,15	107,78	-	113	46	88	58	12	-		
28H150F	1	28	113,19	111,92	-	118	46	94	58	12	-		
29H150F	1	29	117,23	115,86	-	121	46	96	58	12	-		
30H150F	1	30	121,28	119,91	-	129	46	104	58	12	-		
32H150F	1	32	129,36	127,99	-	137	46	112	58	12	-		
33H150F	1	33	133,40	132,03	-	137	46	112	58	12	-		
34H150F	1	34	137,45	136,08	-	142	46	118	58	12	-		
35H150F	2	35	141,49	140,12	118	145	46	75	58	22	-		
36H150F	2	36	145,53	144,16	118	151	46	75	58	22	-		
38H150F	2	38	153,62	152,25	126	158	46	75	58	22	-		
40H150F	2	40	161,70	160,33	134	168	46	75	70	24	-		
44H150F	2	44	177,87	176,50	150	191	46	75	70	24	-		
45H150F	2	45	181,91	180,54	154	189	46	75	70	24	-		
48H150F	2	48	194,04	192,67	166	199	46	75	70	24	-		
49H150	3	49	198,08	196,71	170	-	46	75	70	24	-		
50H150	3	50	202,13	200,76	174	-	46	75	70	24	-		
52H150	3	52	210,21	208,84	182	-	46	75	70	24	-		
60H150	3	60	242,55	241,18	215	-	46	80	70	24	-		
70H150	3	70	282,98	281,61	255	-	46	80	70	24	-		
72H150	3	72	291,06	289,69	263	-	46	80	70	24	-		
82H150	6	82	331,49	330,12	304	-	46	80	70	24	-		
84H150	5	84	339,57	338,20	312	-	46	90	70	24	19		
94H150	5	94	380,00	378,63	352	-	46	90	70	24	19		
96H150	5	96	388,08	386,71	360	-	46	100	70	24	19		
106H150	5	106	428,51	427,14	401	-	46	100	70	24	19		
116H150	5	116	468,93	467,56	441	-	46	100	70	24	19		
118H150	5	118	477,02	475,65	449	-	46	100	70	24	19		
120H150	5	120	485,10	483,73	458	-	46	100	70	24	19		
150H150	5	150	606,38	605,01	579	-	46	100	70	24	19		
152H150	5	152	614,46	613,09	587	-	46	100	70	24	19		
154H150	5	154	622,55	621,17	595	-	46	100	70	24	19		
156H150	5	156	630,63	629,26	603	-	46	120	70	24	19		

H - SECTION 200

Part Number	Type	Teeth	R Ø	S Ø	U Ø	e Ø	W	H Ø	Y	Z	d Ø	Flange	Material	
14H200F	1	14	56.60	55,23	-	62	59.5	40	72	12.5	-	With Flanges	Steel	
15H200F	1	15	60.64	59,27	-	67	59.5	45	72	12.5	-			Cast Iron
16H200F	1	16	64.68	63,31	-	67	59.5	47	72	12.5	-			
17H200F	1	17	68.72	67,35	-	77	59.5	49	72	12.5	-			
18H200F	1	18	72.77	71,40	-	80	59.5	57	72	12.5	-			
19H200F	1	19	76.81	75,44	-	84	59.5	60	72	12.5	-			
20H200F	1	20	80.85	79,48	-	88	59.5	64	72	12.5	-			
21H200F	1	21	84.89	83,52	-	94	59.5	64	72	12.5	-			
22H200F	1	22	88.94	87,57	-	94	59.5	70	72	12.5	-			
23H200F	1	23	92.98	91,61	-	98	59.5	72	72	12.5	-			
24H200F	1	24	97.02	95,65	-	104	59.5	80	72	12.5	-			
25H200F	1	25	101.06	99,69	-	104	59.5	80	72	12.5	-			
26H200F	1	26	105.11	103,74	-	108	59.5	85	72	12.5	-			
27H200F	1	27	109.15	107,78	-	113	59.5	88	72	12.5	-			
28H200F	1	28	113.19	111,92	-	118	59.5	94	72	12.5	-			
29H200F	1	29	117.23	115,86	-	121	59.5	96	72	12.5	-			
30H200F	1	30	121.28	119,91	-	129	59.5	104	72	12.5	-			
32H200F	1	32	129.36	127,99	-	137	59.5	112	72	12.5	-			
33H200F	1	33	133.40	132,03	-	137	59.5	112	72	12.5	-			
34H200F	1	34	137.45	136,08	-	142	59.5	118	72	12.5	-			
35H200F	2	35	141.49	140,12	118	145	59.5	80	72	12.5	-			
36H200F	2	36	145.53	144,16	118	151	59.5	80	72	12.5	-			
38H200F	2	38	153.62	152,25	126	158	59.5	80	72	12.5	-			
40H200F	2	40	161.70	160,33	134	168	59.5	80	72	12.5	-			
44H200F	2	44	177.87	176,50	150	191	59.5	80	72	12.5	-			
45H200F	2	45	181.91	180,54	154	189	59.5	80	72	12.5	-			
48H200F	2	48	194.04	192,67	166	199	59.5	80	80	20.5	-			
49H200	3	49	198.08	196,71	170	-	59.5	80	80	20.5	-			
50H200	3	50	202.13	200,76	174	-	59.5	80	80	20.5	-			
52H200	3	52	210.21	208,84	182	-	59.5	80	80	20.5	-			
60H200	3	60	242.55	241,18	215	-	59.5	90	80	20.5	-			
70H200	3	70	282.98	281,61	255	-	59.5	90	80	20.5	-			
72H200	3	72	291.06	289,69	263	-	59.5	90	80	20.5	-			
82H200	6	82	331.49	330,12	304	-	59.5	90	80	20.5	-			
84H200	5	84	339.57	338,20	312	-	59.5	100	80	20.5	19			
94H200	5	94	380.00	378,63	352	-	59.5	100	80	20.5	19			
96H200	5	96	388.08	386,71	360	-	59.5	100	80	20.5	19			
106H200	5	106	428.51	427,14	401	-	59.5	100	80	20.5	19			
116H200	5	116	468.93	467,56	441	-	59.5	100	80	20.5	19			
118H200	5	118	477.02	475,65	449	-	59.5	100	80	20.5	19			
120H200	5	120	485.10	483,73	458	-	59.5	120	80	20.5	19			
150H200	5	150	606.38	605,01	579	-	59.5	120	80	20.5	19			
152H200	5	152	614.46	613,09	587	-	59.5	120	80	20.5	19			
154H200	5	154	622.55	621,17	595	-	59.5	120	80	20.5	19			
156H200	5	156	630.63	629,26	603	-	59.5	130	80	20.5	19			

H - SECTION 300

Part Number	Type	Teeth	R Ø	S Ø	U Ø	e Ø	W	H Ø	Y	Z	d Ø	Flange	Material
14H300F	1	14	56.60	55.23	-	62	85.7	40	98	12.3	-	With Flanges	Steel
15H300F	1	15	60.64	59.27	-	67	85.7	45	98	12.3	-		
16H300F	1	16	64.68	63.31	-	67	85.7	47	98	12.3	-		
17H300F	1	17	68.72	67.35	-	77	85.7	49	98	12.3	-		
18H300F	1	18	72.77	71.40	-	80	85.7	57	98	12.3	-		
19H300F	1	19	76.81	75.44	-	84	85.7	60	98	12.3	-		
20H300F	1	20	80.85	79.48	-	88	85.7	64	98	12.3	-		
21H300F	1	21	84.89	83.52	-	94	85.7	64	98	12.3	-		
22H300F	1	22	88,94	87,57	-	94	85.7	70	98	12.3	-		
23H300F	1	23	92.98	91.61	-	98	85.7	72	98	12.3	-		
24H300F	1	24	97.02	95.65	-	104	85.7	80	98	12.3	-		
25H300F	1	25	101,06	99,69	-	104	85.7	80	98	12.3	-		
26H300F	1	26	105,11	103,74	-	108	85.7	85	98	12.3	-		
27H300F	1	27	109,15	107,78	-	113	85.7	88	98	12.3	-		
28H300F	1	28	113,19	111,92	-	118	85.7	94	98	12.3	-		
29H300F	1	29	117,23	115,86	-	121	85.7	96	98	12.3	-		
30H300F	1	30	121,28	119,91	-	129	85.7	104	98	12.3	-		
32H300F	1	32	129,36	127,99	-	137	85.7	112	98	12.3	-		
33H300F	1	33	133,40	132,03	-	137	85.7	112	98	12.3	-		
34H300F	1	34	137,45	136,08	-	142	85.7	118	98	12.3	-		
35H300F	2	35	141,49	140,12	118	145	85.7	75	98	12.3	-		
36H300F	2	36	145,53	144,16	118	151	85.7	80	98	12.3	-		
38H300F	2	38	153,62	152,25	126	158	85.7	80	98	12.3	-		
40H300F	2	40	161,70	160,33	134	168	85.7	80	98	12.3	-		
44H300F	2	44	177,87	176,50	150	191	85.7	80	98	12.3	-		
45H300F	2	45	181,91	180,54	154	189	85.7	80	98	12.3	-		
48H300F	2	48	194,04	192,67	166	199	85.7	90	98	12.3	-		
49H300	3	49	198,08	196,71	170	-	85.7	90	98	12.3	-		
50H300	3	50	202,13	200,76	174	-	85.7	90	98	12.3	-		
52H300	3	52	210,21	208,84	182	-	85.7	90	98	12.3	-		
60H300	3	60	242,55	241,18	215	-	85.7	100	98	12.3	-		
70H300	3	70	282,98	281,61	255	-	85.7	100	98	12.3	-		
72H300	3	72	291,06	289,69	263	-	85.7	100	98	12.3	-		
82H300	6	82	331,49	330,12	304	-	85.7	100	98	12.3	-		
84H300	5	84	339,57	338,20	312	-	85.7	100	98	12.3	19		
94H300	5	94	380,00	378,63	352	-	85.7	100	98	12.3	19		
96H300	5	96	388,08	386,71	360	-	85.7	110	98	12.3	19		
106H300	5	106	428,51	427,14	401	-	85.7	110	98	12.3	19		
116H300	5	116	428,51	427,14	441	-	85.7	110	98	12.3	19		
118H300	5	118	477.02	475.65	449	-	85.7	110	98	12.3	19		
120H300	5	120	485.10	483.73	458	-	85.7	120	98	12.3	19		
150H300	5	150	606.38	605.01	579	-	85.7	120	98	12.3	19		
152H300	5	152	614.46	613.09	587	-	85.7	120	98	12.3	19		
154H300	5	154	622,55	621,17	595	-	85.7	120	98	12.3	19		
156H300	5	156	630.63	629.26	603	-	85.7	130	98	12.3	19		

Without Flanges

Cast Iron

XH - SECTION 200

Part Number	Type	Teeth	R Ø	S Ø	U Ø	e Ø	W	H Ø	Y	Z	d Ø	Flange	Material
18XH200F	1	18	127.34	124.55	-	134	65	100	80	15	-	With Flanges	Cast Iron
19XH200F	1	19	134.41	131.62	-	142	65	107	80	15	-		
20XH200F	1	20	141.49	138.70	-	150	65	114	80	15	-		
21XH200F	1	21	148.56	145.77	-	158	65	122	80	15	-		
22XH200F	1	22	155.64	152.85	-	166	65	128	80	15	-		
24XH200F	2	24	169.79	167.00	-	177	65	141	80	15	-		
25XH200F	2	25	176.86	174.07	-	186	65	90	80	15	-		
26XH200F	1	26	183.94	171.15	-	191	65	90	80	15	-		
27XH200F	1	27	191.01	188.22	-	200	65	158	80	15	-		
28XH200F	2	28	198.08	195.29	-	199	65	169	80	15	-		
30XH200F	2	30	212.23	209.44	170	216	65	100	80	15	-		
32XH200F	2	32	226.38	223.59	184	232	65	110	80	15	-		
34XH200F	2	34	240.53	237.74	198	261	65	110	80	15	-		
38XH200F	2	38	268.83	266.03	227	274	65	110	80	15	-		
40XH200F	3	40	282.98	280.19	241	288	65	110	100	35	-		
46XH200	4	46	325.42	322.63	283	-	65	120	100	35	-	Without Flanges	
48XH200	4	48	339.57	336.78	297	-	65	120	100	35	19		
58XH200	4	58	410.32	407.52	368	-	65	120	100	35	19		
60XH200	5	60	424.47	421.68	382	-	65	130	100	35	19		
70XH200	5	70	495.21	492.42	453	-	65	130	100	35	19		
72XH200	5	72	509.36	506.57	467	-	65	140	100	35	19		
78XH200	5	78	551.80	549.01	510	-	65	140	100	35	19		
80XH200	5	80	565.95	563.16	524	-	65	140	100	35	19		
82XH200	5	82	580.10	577.31	538	-	65	140	100	35	19		
84XH200	5	84	594.25	591.46	552	-	65	150	100	35	19		
94XH200	5	94	664.99	662.20	623	-	65	150	100	35	19		
96XH200	5	96	679.14	676.35	637	-	65	160	100	35	19		
118XH200	5	118	834.78	831.99	792	-	65	160	100	35	19		
120XH200	5	120	848.93	846.14	806	-	65	170	100	35	19		

XH - SECTION 300

Part Number	Type	Teeth	R Ø	S Ø	U Ø	e Ø	W	H Ø	Y	Z	d Ø	Flange	Material
18XH300F	1	18	127.34	124.55	-	134	92	100	107	15	-	With Flanges	Cast Iron
19XH300F	1	19	134.41	131.62	-	142	92	107	107	15	-		
20XH300F	1	20	141.49	138.70	-	150	92	114	107	15	-		
21XH300F	1	21	148.56	145.77	-	158	92	122	107	15	-		
22XH300F	1	22	155.64	152.85	-	166	92	128	107	15	-		
24XH300F	1	24	169.79	167.00	-	177	92	141	107	15	-		
25XH300F	1	25	176.86	174.07	-	186	92	148	107	15	-		
26XH300F	1	26	183.94	171.15	-	191	92	157	107	15	-		
27XH300F	1	27	191.01	188.22	-	200	92	158	107	15	-		
28XH300F	1	28	198.08	195.29	-	199	92	169	107	15	-		
30XH300F	1	30	212.23	209.44	170	216	92	110	107	15	-		

XH - SECTION 300 continued

Part Number	Type	Teeth	R Ø	S Ø	U Ø	e Ø	W	H Ø	Y	Z	d Ø	Flange	Material
32XH300F	2	32	226.38	223.59	184	232	92	110	107	15	-	With Flanges	Cast Iron
34XH300F	2	34	240.53	237.74	198	261	92	110	107	15	-		
38XH300F	2	38	268.83	266.03	227	274	92	110	107	15	-		
40XH300	2	40	282.98	280.19	241	288	92	120	100	8	-		
46XH300	3	46	325.42	322.63	283	-	92	120	100	8	-	Without Flanges	
48XH300	4	48	339.57	336.78	297	-	92	120	100	8	19		
58XH300	4	58	410.32	407.52	368	-	92	120	100	8	19		
60XH300	4	60	424.47	421.68	382	-	92	120	100	8	19		
70XH300	5	70	495.21	492.42	453	-	92	130	100	8	19		
72XH300	5	72	509.36	506.57	467	-	92	140	120	28	19		
78XH300	5	78	551.80	549.01	510	-	92	140	120	28	19		
80XH300	5	80	565.95	563.16	524	-	92	140	120	28	19		
82XH300	5	82	580.10	577.31	538	-	92	140	120	28	19		
84XH300	5	84	594.25	591.46	552	-	92	160	120	28	19		
94XH300	5	94	664.99	662.20	623	-	92	150	120	28	19		
96XH300	5	96	679.14	676.35	637	-	92	160	120	28	19		
118XH300	5	118	834.78	831.99	792	-	92	160	120	28	19		
120XH300	5	120	848.93	846.14	806	-	92	170	120	28	19		

XH - SECTION 400

Part Number	Type	Teeth	R Ø	S Ø	U Ø	e Ø	W	H Ø	Y	Z	d Ø	Flange	Material
18XH400F	1	18	127.34	124.55	-	134	119	100	135	16	-	With Flanges	Cast Iron
19XH400F	1	19	134.41	131.62	-	142	119	107	135	16	-		
20XH400F	1	20	141.49	138.70	-	150	119	114	135	16	-		
21XH400F	1	21	148.56	145.77	-	158	119	122	135	16	-		
22XH400F	1	22	155.64	152.85	-	166	119	128	135	16	-		
24XH400F	1	24	169.79	167.00	-	177	119	141	135	16	-		
25XH400F	1	25	176.86	174.07	-	186	119	148	135	16	-		
26XH400F	1	26	183.94	171.15	-	191	119	157	135	16	-		
27XH400F	1	27	191.01	188.22	-	200	119	158	135	16	-		
28XH400F	1	28	198.08	195.29	-	199	119	169	135	16	-		
30XH400F	2	30	212.23	209.44	170	216	119	120	135	16	-		
32XH400F	2	32	226.38	223.59	184	232	119	120	135	16	-		
34XH400F	2	34	240.53	237.74	198	261	119	120	135	16	-		
38XH400F	2	38	268.83	266.03	227	274	119	120	135	16	-		
40XH400F	2	40	282.98	280.19	241	288	119	120	135	16	-		
46XH400	3	46	325.42	322.63	283	-	119	140	135	16	-	Without Flanges	
48XH400	4	48	339.57	336.78	297	-	119	140	135	16	19		
58XH400	4	58	410.32	407.52	368	-	119	140	135	16	19		
60XH400	4	60	424.47	421.68	382	-	119	140	135	16	19		
70XH400	5	70	495.21	492.42	453	-	119	140	135	16	19		
72XH400	5	72	509.36	506.57	467	-	119	140	135	16	19		
78XH400	5	78	551.80	549.01	510	-	119	140	135	16	19		



TIMING PULLEYS



METRIC TIMING PULLEYS PILOT BORE

Description

Dunlop metric pitch timing pulleys are manufactured from aluminium 6082 and pulley flanges are produced from S235JR steel.

Metric pitch belt pulleys are available to suit all pitch sizes, T2.5, T5, T10, AT5 & AT10 and are available from stock with pilot bore, suitable for machining.

Part numbers are identified by a 2 digit number (e.g. 27) which represents the overall distance in mm through the bore, one or two letters and numbers (e.g. T5) the pulleys pitch and a 2 or 3 digit number (e.g. 32) being the number of teeth, for example 27T5/32-2.

T2.5 - SECTION (6mm belt width)

Part Number	Type	Teeth	S	Ø e	H	W	Y	Flange	Material
16T2.5/12-2	1	12	9.00	12.0	6.5	9	16	With Flange	Aluminium
16T2.5/14-2	1	14	10.60	16.0	8.5	9	16		
16T2.5/15-2	1	15	11.40	16.0	10	9	16		
16T2.5/16-2	2	16	12.20	18.0	9	10	16		
16T2.5/18-2	2	18	13.80	18.0	9	10	16		
16T2.5/19-2	2	19	14.60	21.5	9	10	16		
16T2.5/20-2	2	20	15.40	20.0	11	10	16		
16T2.5/22-2	2	22	17.00	20.0	11	10	16		
16T2.5/24-2	2	24	18.55	23.0	12	10	16		
16T2.5/25-2	2	25	19.35	24.0	13	10	16		
16T2.5/26-2	2	26	20.15	24.0	14	10	16		
16T2.5/28-2	2	28	21.75	27.0	14	10	16		
16T2.5/30-2	2	30	23.35	27.0	16	10	16		
16T2.5/32-2	2	32	24.95	30.0	16	10	16		
16T2.5/36-2	2	36	28.10	33.0	20	10	16		
16 T2.5/40-2	2	40	31.30	36.0	22	10	16		
16 T2.5/44-2	2	44	34.50	40.0	24	10	16		
16 T2.5/48-0	3	48	37.70	-	28	10	16	*	
16 T2.5/60-0	3	60	47.25	-	34	10	16		

T5 - SECTION (10mm belt width)

Part Number	Type	Teeth	S	Ø e	H	W	Y	Flange	Material
21T5/10-2	2	10	15.05	18	8	15	21	With Flange	Aluminium
21T5/12-2	2	12	18.25	23	11	15	21		
21T5/14-2	2	14	21.45	24	14	15	21		
21T5/15-2	2	15	23.05	27	16	15	21		
21T5/16-2	2	16	24.60	30	18	15	21		
21T5/18-2	2	18	27.80	30	20	15	21		
21T5/19-2	2	19	29.40	33	22	15	21		
21T5/20-2	2	20	31.00	33	23	15	21		
21T5/22-2	2	22	34.25	36	24	15	21		
21T5/24-2	2	24	37.40	40	26	15	21		
21T5/25-2	2	25	39.00	46	26	15	21		
21T5/26-2	2	26	40.60	46	26	15	21		

T5 - SECTION (10mm belt width) continued

Part Number	Type	Teeth	S	Ø e	H	W	Y	Flange	Material
21T5/27-2	2	27	42.20	46	30	15	21	With Flanges	Aluminium
21T5/28-2	2	28	43.75	50	32	15	21		
21T5/30-2	2	30	46.95	50	34	15	21		
21T5/32-2	2	32	50.10	55	38	15	21		
21T5/36-2	2	36	56.45	62	38	15	21		
21T5/40-2	2	40	62.85	67	40	15	21		
21T5/42-2	2	42	66.00	73	40	15	21		
21T5/44-0	3	44	69.20	-	45	15	21	*	
21T5/48-0	3	48	75.55	-	50	15	21		
21T5/60-0	3	60	94.65	-	65	15	21		

T5 - SECTION (16mm belt width)

Part Number	Type	Teeth	S	Ø e	H	W	Y	Flange	Material
27T5/10-2	2	10	15.05	18	8	21	27	With Flanges	Aluminium
27T5/12-2	2	12	18.25	23	11	21	27		
27T5/14-2	2	14	21.45	24	14	21	27		
27T5/15-2	2	15	23.05	27	16	21	27		
27T5/16-2	2	16	24.60	30	18	21	27		
27T5/18-2	2	18	27.80	30	20	21	27		
27T5/19-2	2	19	29.40	33	22	21	27		
27T5/20-2	2	20	31.00	33	23	21	27		
27T5/22-2	2	22	34.25	36	24	21	27		
27T5/24-2	2	24	37.40	40	26	21	27		
27T5/25-2	2	25	39.00	46	26	21	27		
27T5/26-2	2	26	40.60	46	26	21	27		
27T5/27-2	2	27	42.20	46	30	21	27		
27T5/28-2	2	28	43.75	50	32	21	27		
27T5/30-2	2	30	46.95	50	34	21	27		
27T5/32-2	2	32	50.10	55	38	21	27		
27T5/36-2	2	36	56.45	62	38	21	27		
27T5/40-2	2	40	62.85	67	40	21	27		
27T5/42-2	2	42	66.00	73	40	21	27		
27T5/44-0	3	44	69.20	-	45	21	27	*	
27T5/48-0	3	48	75.55	-	50	21	27		
27T5/60-0	3	60	94.65	-	65	21	27		

T5 - SECTION (25mm belt width)

Part Number	Type	Teeth	S	Ø e	H	W	Y	Flange	Material
36T5/10-2	2	10	15.05	18	8	30	36	Without Flanges	Aluminium
36T5/12-2	2	12	18.25	23	11	30	36		
36T5/14-2	2	14	21.45	24	14	30	36		
36T5/15-2	2	15	23.05	27	16	30	36		
36T5/16-2	2	16	24.60	30	18	30	36		
36T5/18-2	2	18	27.80	30	20	30	36		

T5 - SECTION (25mm belt width)

Part Number	Type	Teeth	S	Ø e	H	W	Y	Flange	Material
36T5/19-2	2	19	15.05	33	22	30	36	With Flanges	Aluminium
36T5/20-2	2	20	18.25	33	23	30	36		
36T5/22-2	2	22	21.45	36	24	30	36		
36T5/24-2	2	24	23.05	40	26	30	36		
36T5/25-2	2	25	24.60	46	26	30	36		
36T5/26-2	2	26	27.80	46	26	30	36		
36T5/27-2	2	27	42.20	46	30	30	36		
36T5/28-2	2	28	43.75	50	32	30	36		
36T5/30-2	2	30	46.95	50	34	30	36		
36T5/32-2	2	32	50.10	55	38	30	36		
36T5/36-2	2	36	56.45	62	38	30	36		
36T5/40-2	2	40	62.85	67	40	30	36		
36T5/42-2	2	42	66.00	73	40	30	36		
36T5/44-0	2	44	69.20	-	45	30	36		
36T5/48-0	2	48	75.55	-	50	30	36		
36T5/60-0	2	60	94.65	-	65	30	36		

T10 - SECTION (16mm belt width)

Part Number	Type	Teeth	S	Ø e	H	W	Y	Flange	Material
31T10/12-2	2	12	36.35	40	28	21	31	With Flanges	Aluminium
31T10/14-2	2	14	42.70	46	32	21	31		
31T10/15-2	2	15	45.90	50	32	21	31		
31T10/16-2	2	16	49.05	55	35	21	31		
31T10/18-2	2	18	55,45	62	40	21	31		
31T10/19-2	2	19	58,60	67	44	21	31		
31T10/20-2	2	20	61,80	67	46	21	31		
31T10/22-2	2	22	68,15	73	52	21	31		
31T10/24-2	2	24	74,55	80	58	21	31		
31T10/25-2	2	25	77,70	84	60	21	31		
31T10/26-2	2	26	80,90	88	60	21	31		
31T10/27-2	2	27	84,10	88	60	21	31		
31T10/28-2	2	28	87,25	94	60	21	31		
31T10/30-2	2	30	93,65	98	60	21	31		
31T10/32-2	2	32	100,00	108	65	21	31		
31T10/36-2	2	36	112,75	118	70	21	31		
31T10/40-2	4	40	125,45	129	80	21	31		
31T10/44-0	5	44	138,20	-	88	21	31	*	
31T10/48-0	5	48	150,95	-	95	21	31		
31T10/60-0	5	60	189,10	-	110	21	31		

T10 - SECTION (25mm belt width)

Part Number	Type	Teeth	S	Ø e	H	W	Y	Flange	Material
40T10/12-2	2	12	36.35	40	28	30	40	With Flange	Aluminium
40T10/14-2	2	14	42.70	46	32	30	40		
40T10/15-2	2	15	45.90	50	32	30	40		
40T10/16-2	2	16	49.05	55	35	30	40		
40T10/18-2	2	18	55.45	62	40	30	40		
40T10/19-2	2	19	58.60	67	44	30	40		
40T10/20-2	2	20	61.80	67	46	30	40		
40T10/22-2	2	22	68.15	73	52	30	40		
40T10/24-2	2	24	74.55	80	58	30	40		
40T10/25-2	2	25	77.70	84	60	30	40		
40T10/26-2	2	26	80.90	88	60	30	40		
40T10/27-2	2	27	84.10	88	60	30	40		
40T10/28-2	2	28	87.25	94	60	30	40		
40T10/30-2	2	30	93.65	98	60	30	40		
40T10/32-2	2	32	100.00	108	65	30	40		
40T10/36-2	2	36	112.75	118	70	30	40		
40T10/40-2	4	40	125.45	129	80	30	40		
40T10/44-0	5	44	138.20	-	88	30	40	*	
40T10/48-0	5	48	150.95	-	95	30	40		
40T10/60-0	5	60	189.10	-	110	30	40		

T10 - SECTION (32mm belt width)

Part Number	Type	Teeth	S	Ø e	H	W	Y	Flange	Material
47T10/18-2	2	18	55.45	62	40	37	47	With Flange	Aluminium
47T10/19-2	2	19	58.60	67	44	37	47		
47T10/20-2	2	20	61.80	67	46	37	47		
47T10/22-2	2	22	68.15	73	52	37	47		
47T10/24-2	2	24	74.55	80	58	37	47		
47T10/25-2	2	25	77.70	84	60	37	47		
47T10/26-2	2	26	80.90	88	60	37	47		
47T10/27-2	2	27	84.10	88	60	37	47		
47T10/28-2	2	28	87.25	94	60	37	47		
47T10/30-2	2	30	93.65	98	60	37	47		
47T10/32-2	2	32	100.00	108	65	37	47		
47T10/36-2	2	36	112.75	118	70	37	47		
47T10/40-2	4	40	125.45	129	80	37	47		
47T10/44-2	5	44	138.20	-	88	37	47		
47T10/48-0	5	48	150.95	-	95	37	47		
47T10/60-0	5	60	189.10	-	110	37	47		

T10 - SECTION (50mm belt width)

Part Number	Type	Teeth	S	Ø e	H	W	Y	Flange	Material
66T10/18-2	2	18	55.45	62	40	56	66	With Flange	Aluminium
66T10/19-2	2	19	58.60	67	44	56	66		
66T10/20-2	2	20	61.80	67	46	56	66		
66T10/22-2	2	22	68.15	73	52	56	66		
66T10/24-2	2	24	74.55	80	58	56	66		
66T10/25-2	2	25	77.70	84	60	56	66		
66T10/26-2	2	26	80.90	88	60	56	66		
66T10/27-2	2	27	84.10	88	60	56	66		
66T10/28-2	2	28	87.25	94	60	56	66		
66T10/30-2	2	30	93.65	98	60	56	66		
66T10/32-2	2	32	100.00	108	65	56	66		
66T10/36-2	2	36	112.75	118	70	56	66		
66T10/40-2	4	40	125.45	129	80	56	66		
66T10/44-0	5	44	138.20	1	88	56	66	*	
66T10/48-0	5	48	150.95	1	95	56	66		
66T10/60-0	5	60	189.10	1	110	56	66		



“We are proud to be a European manufacturer; it is a privilege to supply our products to some of the world’s most prestigious original equipment manufacturers in the Agricultural, Automotive, Construction, Industrial and Motor Sport sectors”.



Agriculture

“Our distributor network is vital to the continued global growth of the DUNLOP brand and our valued distributor partners form the perfect link between manufacturer and end user”.



Automotive

“Our commitment to our staff, our customers and the environment is of paramount importance to our company, we will continue to develop our organisational skills to further enhance our company’s potential, to engage in sustainable practices and anticipate the needs and expectations of our customers”.



Construction

“We love our products”.

Ray Mifsud, Managing Director.

A handwritten signature in black ink, appearing to read 'R. Mifsud'.

Industrial

#WeLoveOurProducts



Motor Sport



TRANSMISSIONS

DUNLOP BTL Ltd, MPT House, Brunswick Road, Cobbs Wood Industrial Estate, Ashford, Kent TN23 1EL, UK
T: +44 (0)1233 663340 • F: +44 (0)1233 664440 • E: sales@dunlopctl.com • W: www.dunlopctl.com

DUNLOP™ and the Flying D device™ are used under licence by DUNLOP BTL Ltd.